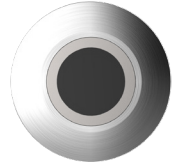
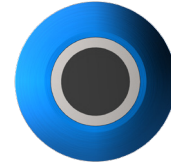
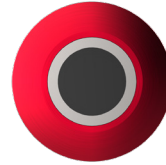




### Applications

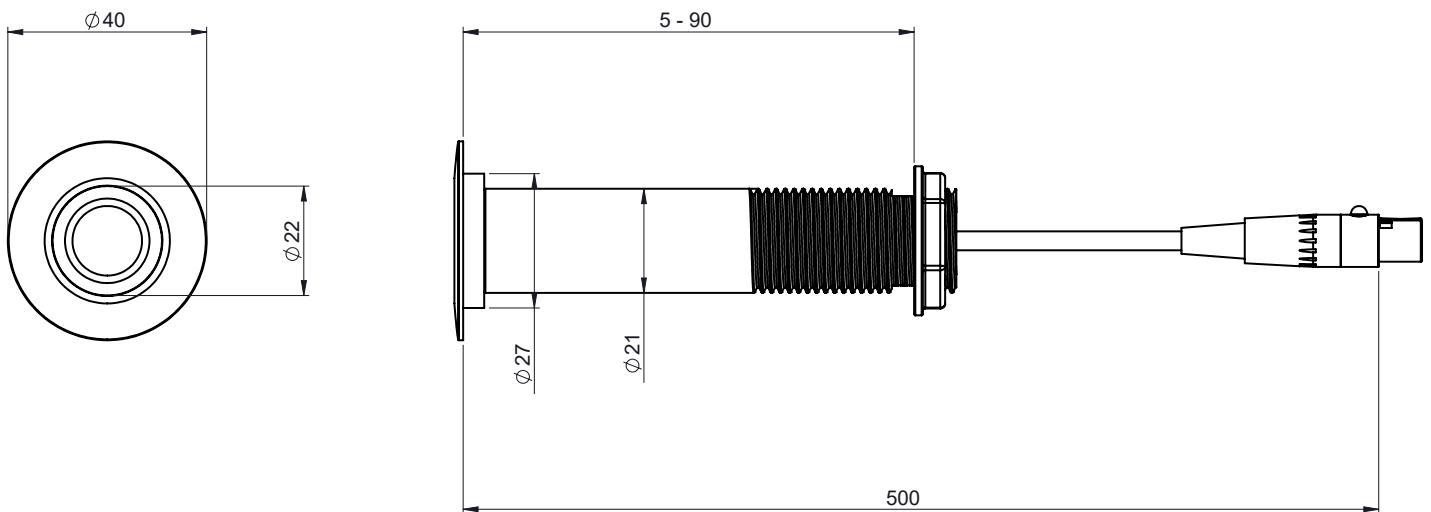
Touch-free controls designed for use with taps, showers and WC, used in combination with our Washroom Control System [374572]



### Features

- ~ 2 Sensors for use with taps, Hot [red] Cold [blue]
- ~ 1 Sensor for use with taps, shower & WC
- ~ Colour coded surrounds:
  - Hot [red] Cold [blue] for taps,
  - Pre-mixed [red as standard] for single tap or shower, and
  - Silver for WC
- ~ Anti-ligature design
- ~ Hygienic touch-free operation
- ~ Programmable run time, sensor range and lock out function available

### Dimensional Data



### Technical Data

Operation	Infra-red
Operating Voltage	12VDC
IP Rating	IP65
Wall Thickness	5 – 40mm with spacer 55 – 90mm without spacer Can be extended to greater wall thickness using: 374575 - 100mm extension 115 – 190mm 374576 - 200mm extension 115 – 290mm
Product Code	374596 [red] 374613 [blue] 374614 [silver]