

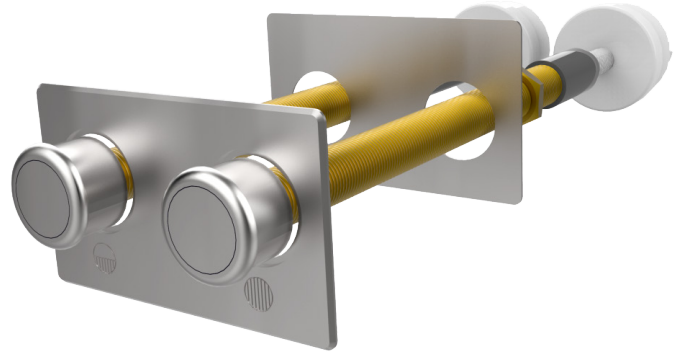


Applications

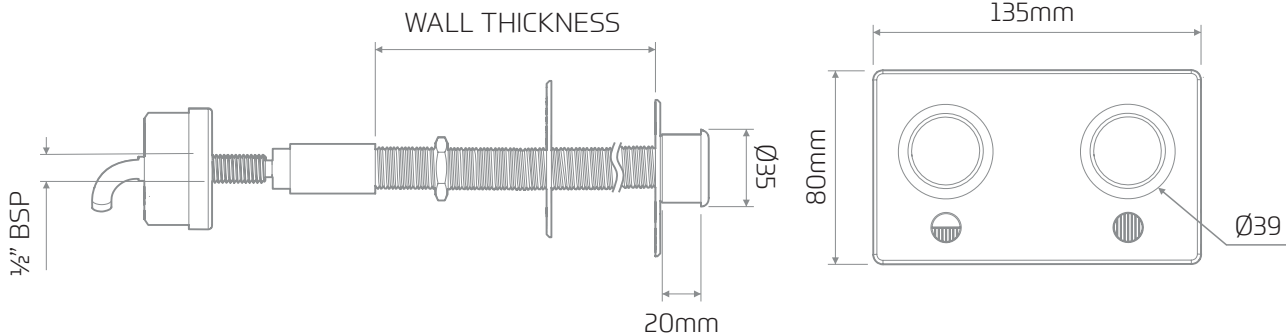
Through-the-wall control set for vandal resistant toilets. For use in areas susceptible to vandalism.

Features

- ~ Vandal proof through-the-wall mounting
- ~ Dualflush control
- ~ Can be located 3m from cistern
- ~ For use with Dudley Miniflo cistern
- ~ Anti-ligature fittings with stainless steel laser etched finish.



Dimensional Data



Technical Data

Connection	1/2" BSP
Operating Pressure	0.1 - 10 bar
Max. Static Pressure	10 bar
Max. Air Tube Length	3 Metres
Wall Thickness	Up to 175mm (Extended version available for wall thicknesses up to 300mm)