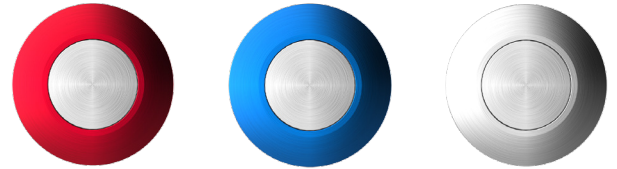




Applications

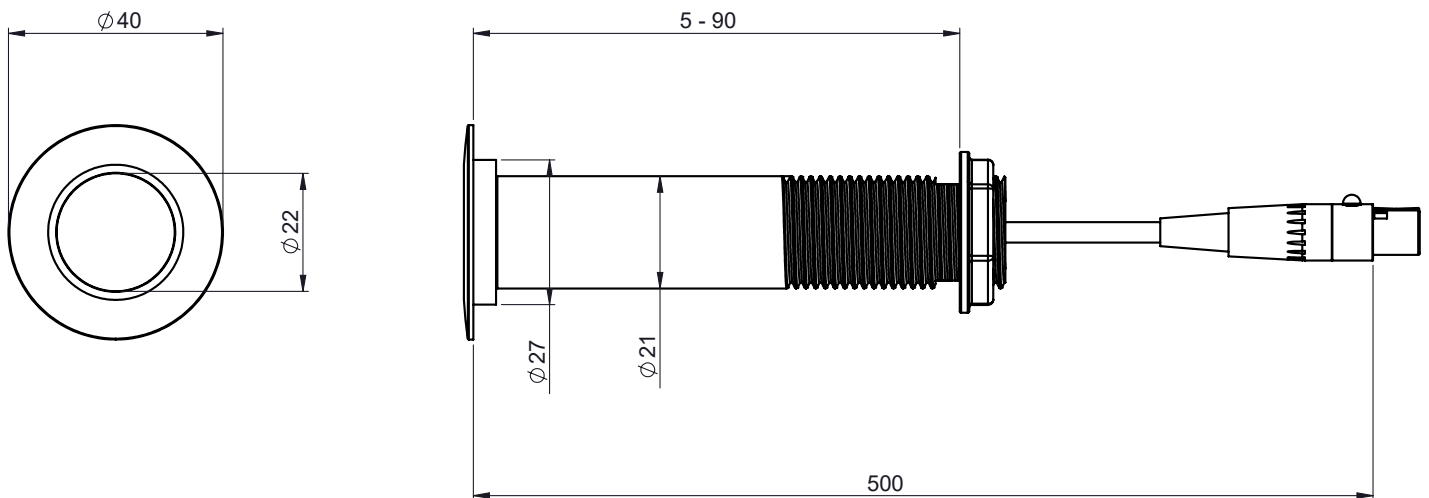
Touch controls designed for use with taps, showers and WC, used in combination with our Washroom Control System [374572]



Features

- ~ 2 Buttons for use with taps, Hot [red] Cold [blue]
- ~ 1 Buttons for use with taps, shower & WC
- ~ Colour coded surrounds:
 - Hot [red] Cold [blue] for taps,
 - Pre-mixed [red as standard] for single tap or shower, and
 - Silver for WC
- ~ Anti-ligature design
- ~ Programmable run time and lock out function available

Dimensional Data



Technical Data

Operation	Touch
Operating Voltage	12VDC
IP Rating	IP68
Wall Thickness	5 – 40mm with spacer 55 – 90mm without spacer Can be extended to greater wall thickness using: 374575 - 100mm extension 115 – 190mm 374576 - 200mm extension 115 – 290mm
Product Code	374593 [red] 384594 [blue] 374595 [silver]