



### Applications

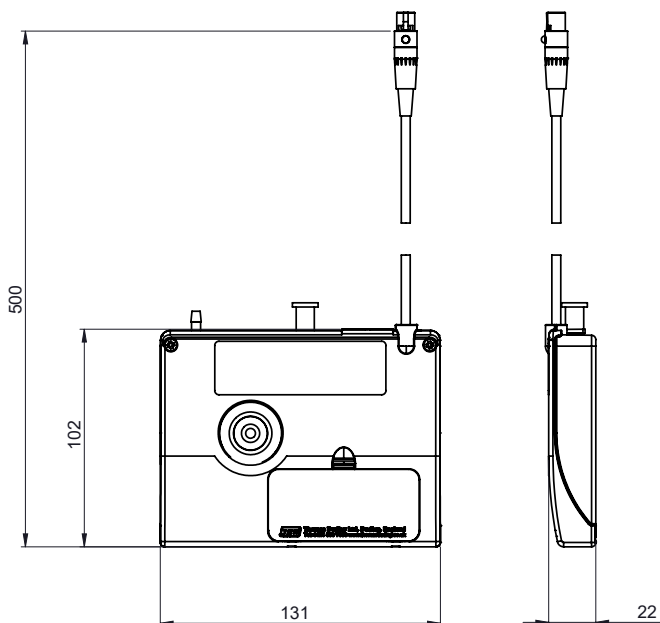
A conventional WC flushing cistern can be used with the Washroom Control System [374572] using the designated Infra-red or Piezo controls, this requires an Resan WC Flush Interface unit.

### Features

- ~ Converts the 12V DC output from the Resan Control Via the designated button or sensor into a Pneumatic output controlling the Full or partial flush of our Vantage, Miniflo or Phantom V Concealed cisterns
- ~ No additional power supply is required
- ~ Mono and dual flush available
- ~ Pump run time and filling delay can be changed using the Washroom Control System



### Dimensional Data



### Technical Data

Operation	Infra-red / Touch Operation
Flush	Mono flush [default] Dual flush [optional]
Pump Run Time	1.8 seconds [default]
Fill Time	30 seconds [default]
Operating Voltage	12VDC
Product Code	374580