



Applications

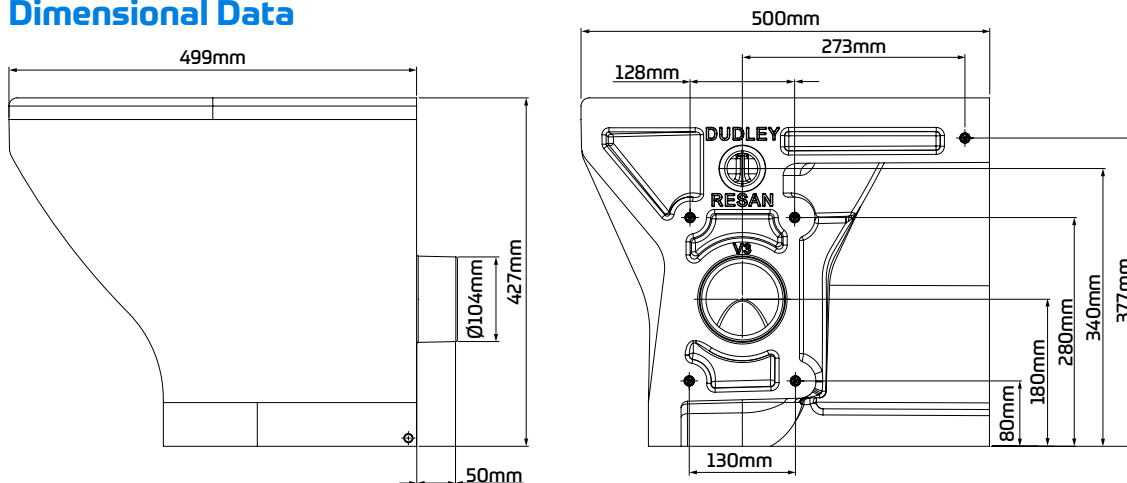
Suitable for installation within custodial, healthcare and commercial environments where space is at a premium.

Features

- ~ Damage resistant and Anti-Ligature
- ~ Integral plain moulded seat
- ~ Designed for seatless use
- ~ Prevents hidden corners
- ~ Concealed through-wall services and fixings
- ~ Standard white WC pans are cast in a single piece, reducing join joints which are difficult to clean and enhancing strength
- ~ The waste spigot height is 180mm (BS EN 33)
- ~ Easily renewable surface - no gel coat
- ~ Other Contrasting colour integral seats are available with a range of Resan WC Pans
- ~ Non-Flammable – BS476 Pt 6 & 7 Class '0' and Class '1'
- ~ ISO EN 19712-3-2007 Rated 5 for durability, stain resistance & cigarette burns
- ~ BS EN 997 6/4 Litre and 5/3 Flush Approval
- ~ BS EN 33:2019 WC pans and WC suites- Connecting Dimensions
- ~ Supports requirements of WAT 01 BREEAM
- ~ UKCA/CE Marked
- ~ UK Ministry of Justice Safer Cell Approval Pending



Dimensional Data



Technical Data

Material	Polymer Resin
Available Finishes	Polished Resin for Gloss Effect
Product Weight	54Kg
Fixing Orientation	Bolt to Wall
Fixing Size	M10 x 300mm Threaded Bar
Product Code	374586



Applications

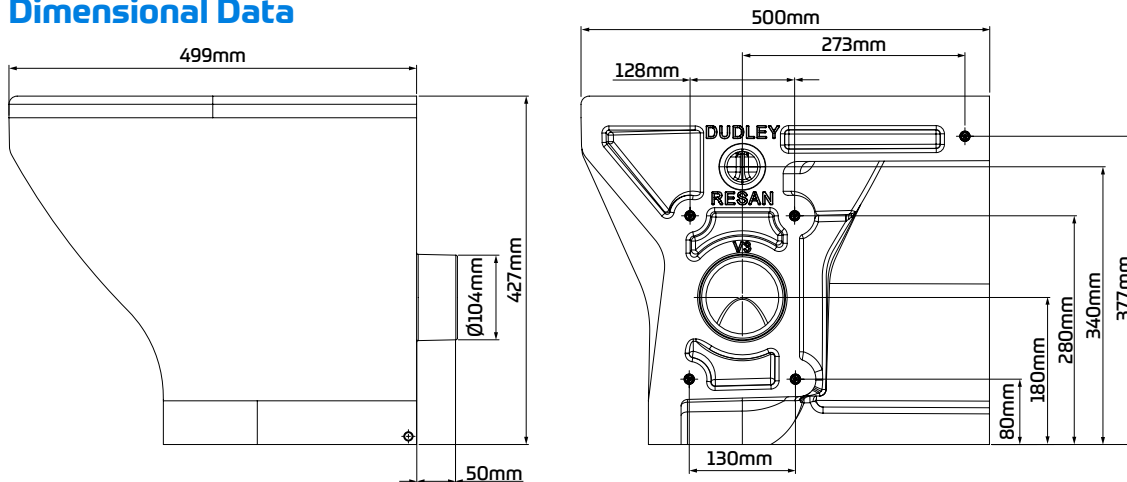
Suitable for installation within custodial, healthcare and commercial environments where space is at a premium.

Features

- ~ Damage resistant and Anti-Ligature
- ~ Integral blue moulded seat
- ~ Designed for seatless use
- ~ Prevents hidden corners
- ~ Concealed through-wall services and fixings
- ~ The waste spigot height is 180mm (BS EN 33)
- ~ Easily renewable surface - no gel coat
- ~ Other contrasting colour integral seats are available with a range of Resan WC Pans
- ~ Non-Flammable – BS476 Pt 6 & 7 Class '0' and Class '1'
- ~ ISO EN 19712-3-2007 Rated 5 for durability, stain resistance & cigarette burns
- ~ BS EN 997 6/4 Litre and 5/3 Flush Approval
- ~ BS EN 33:2019 WC pans and WC suites- Connecting Dimensions
- ~ Supports requirements of WAT 01 BREEAM
- ~ UKCA/CE Marked
- ~ UK Ministry of Justice Safer Cell Approval Pending



Dimensional Data



Technical Data

Material	Polymer Resin
Available Finishes	Polished Resin for Gloss Effect
Product Weight	54Kg
Fixing Orientation	Bolt to Wall
Fixing Size	M10 x 300mm Threaded Bar
Product Code	375034



Applications

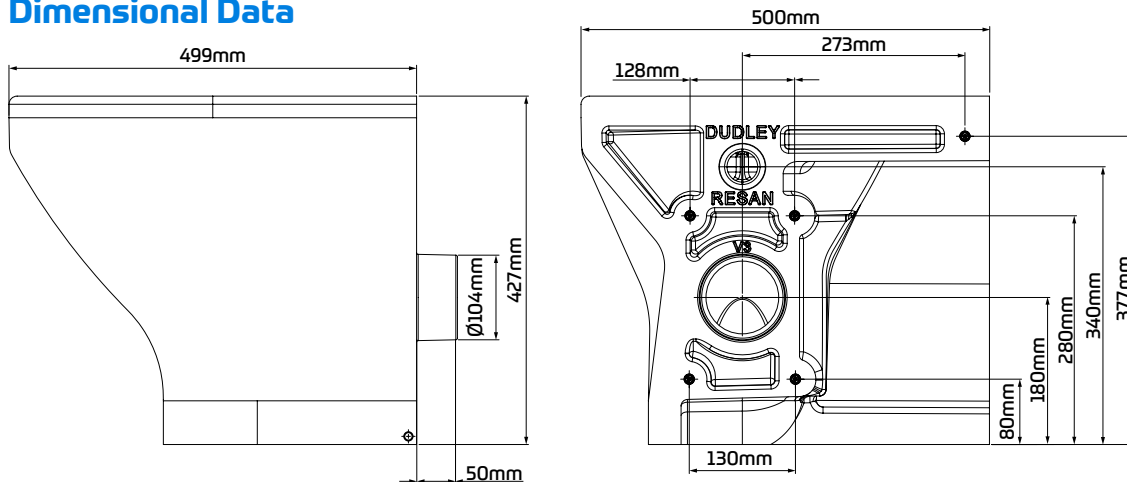
Suitable for installation within custodial, healthcare and commercial environments where space is at a premium.

Features

- ~ Damage resistant and Anti-Ligature
- ~ Integral grey moulded seat
- ~ Designed for seatless use
- ~ Prevents hidden corners
- ~ Concealed through-wall services and fixings
- ~ The waste spigot height is 180mm (BS EN 33)
- ~ Easily renewable surface - no gel coat
- ~ Other contrasting colour integral seats are available with a range of Resan WC Pans
- ~ Non-Flammable – BS476 Pt 6 & 7 Class '0' and Class '1'
- ~ ISO EN 19712-3-2007 Rated 5 for durability, stain resistance & cigarette burns
- ~ BS EN 997 6/4 Litre and 5/3 Flush Approval
- ~ BS EN 33:2019 WC pans and WC suites- Connecting Dimensions
- ~ Supports requirements of WAT 01 BREEAM
- ~ UKCA/CE Marked
- ~ UK Ministry of Justice Safer Cell Approval Pending



Dimensional Data



Technical Data

Material	Polymer Resin
Available Finishes	Polished Resin for Gloss Effect
Product Weight	54Kg
Fixing Orientation	Bolt to Wall
Fixing Size	M10 x 300mm Threaded Bar
Product Code	375044



Applications

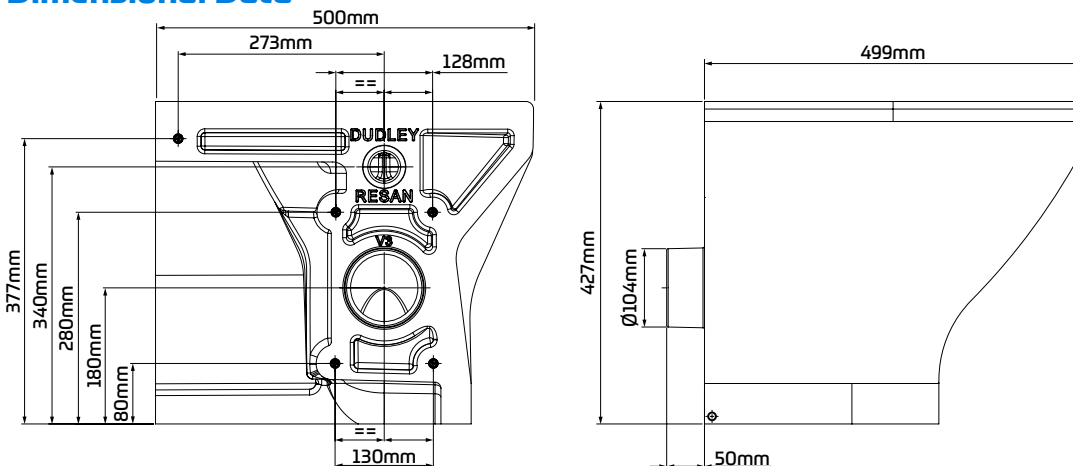
Suitable for installation within custodial, healthcare and commercial environments where space is at a premium.

Features

- ~ Damage resistant and Anti-Ligature
- ~ Integral plain moulded seat
- ~ Designed for seatless use
- ~ Prevents hidden corners
- ~ Concealed through-wall services and fixings
- ~ Standard white WC pans are cast in a single piece, reducing join joints which are difficult to clean and enhancing strength
- ~ The waste spigot height is 180mm (BS EN 33)
- ~ Easily renewable surface - no gel coat
- ~ Other Contrasting colour integral seats are available with a range of Resan WC Pans
- ~ Non-Flammable – BS476 Pt 6 & 7 Class '0' and Class '1'
- ~ ISO EN 19712-3-2007 Rated 5 for durability, stain resistance & cigarette burns
- ~ BS EN 997 6/4 Litre and 5/3 Flush Approval
- ~ BS EN 33:2019 WC pans and WC suites- Connecting Dimensions
- ~ Supports requirements of WAT 01 BREEAM
- ~ UKCA/CE Marked
- ~ UK Ministry of Justice Safer Cell Approval Pending



Dimensional Data



Technical Data

Material	Polymer Resin
Available Finishes	Polished Resin for Gloss Effect
Product Weight	54Kg
Fixing Orientation	Bolt to Wall
Fixing Size	M10 x 300mm Threaded Bar
Product Code	375035



Applications

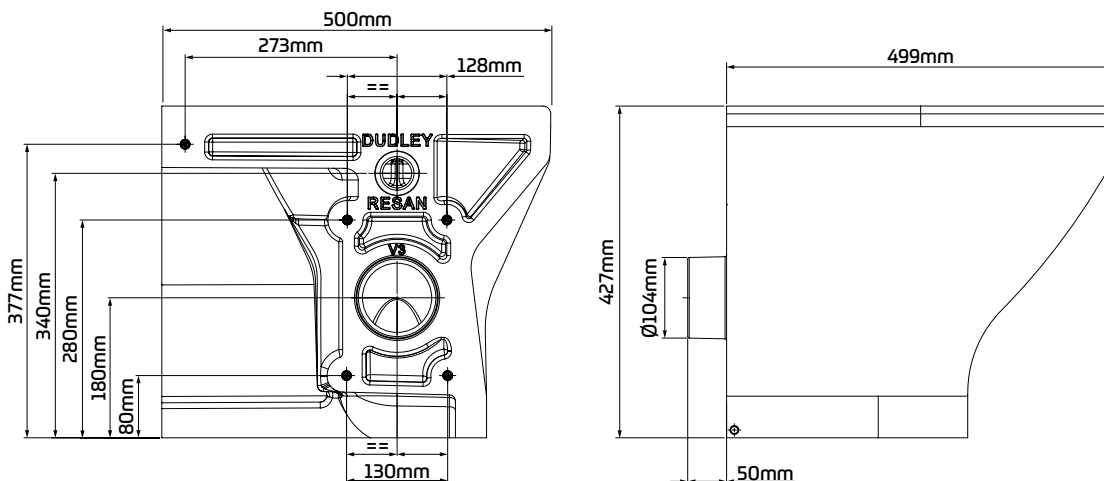
Suitable for installation within custodial, healthcare and commercial environments where space is at a premium.

Features

- ~ Damage resistant and Anti-Ligature
- ~ Integral blue moulded seat
- ~ Designed for seatless use
- ~ Prevents hidden corners
- ~ Concealed through-wall services and fixings
- ~ The waste spigot height is 180mm (BS EN 33)
- ~ Easily renewable surface - no gel coat
- ~ Other contrasting colour integral seats are available with a range of Resan WC Pans
- ~ Non-Flammable – BS476 Pt 6 & 7 Class '0' and Class '1'
- ~ ISO EN 19712-3-2007 Rated 5 for durability, stain resistance & cigarette burns
- ~ BS EN 997 6/4 Litre and 5/3 Flush Approval
- ~ BS EN 33:2019 WC pans and WC suites- Connecting Dimensions
- ~ Supports requirements of WAT 01 BREEAM
- ~ UKCA/CE Marked
- ~ UK Ministry of Justice Safer Cell Approval Pending



Dimensional Data



Technical Data

Material	Polymer Resin
Available Finishes	Polished Resin for Gloss Effect
Product Weight	54Kg
Fixing Orientation	Bolt to Wall
Fixing Size	M10 x 300mm Threaded Bar
Product Code	375045



Applications

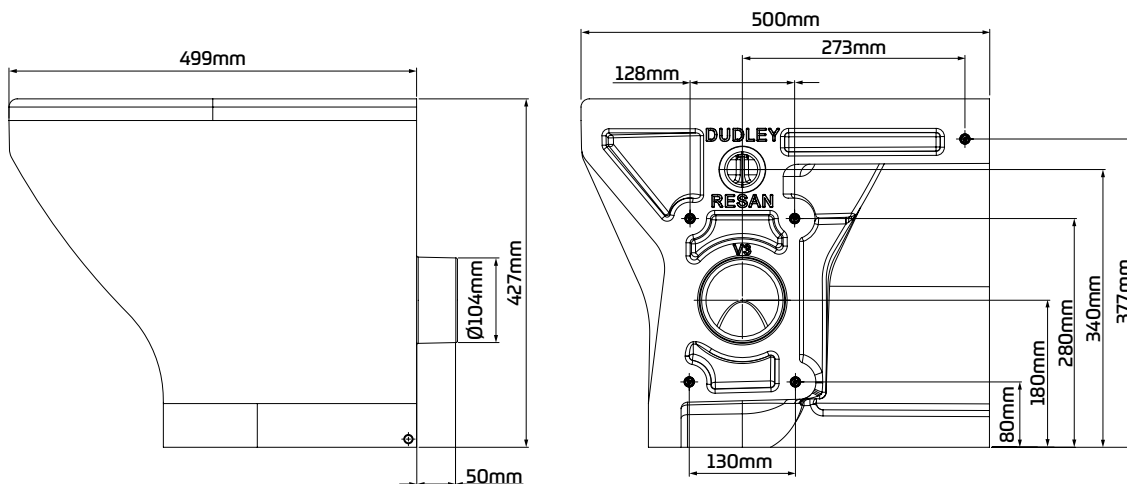
Suitable for installation within custodial, healthcare and commercial environments where space is at a premium.

Features

- ~ Damage resistant and Anti-Ligature
- ~ Integral grey moulded seat
- ~ Designed for seatless use
- ~ Prevents hidden corners
- ~ Concealed through-wall services and fixings
- ~ The waste spigot height is 180mm (BS EN 33)
- ~ Easily renewable surface - no gel coat
- ~ Other contrasting colour integral seats are available with a range of Resan WC Pans
- ~ Non-Flammable – BS476 Pt 6 & 7 Class '0' and Class '1'
- ~ ISO EN 19712-3-2007 Rated 5 for durability, stain resistance & cigarette burns
- ~ BS EN 997 6/4 Litre and 5/3 Flush Approval
- ~ BS EN 33:2019 WC pans and WC suites- Connecting Dimensions
- ~ Supports requirements of WAT 01 BREEAM
- ~ UKCA/CE Marked
- ~ UK Ministry of Justice Safer Cell Approval Pending



Dimensional Data



Technical Data

Material	Polymer Resin
Available Finishes	Polished Resin for Gloss Effect
Product Weight	54Kg
Fixing Orientation	Bolt to Wall
Fixing Size	M10 x 300mm Threaded Bar
Product Code	375046