

Dudley



HORIZON™ 150 SOAP DISPENSER

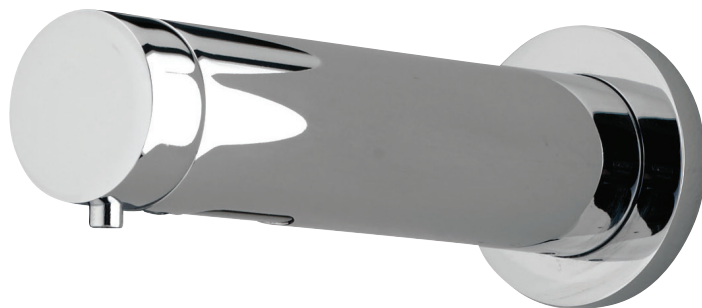
Electroflo® touch free IR
soap dispenser

Applications

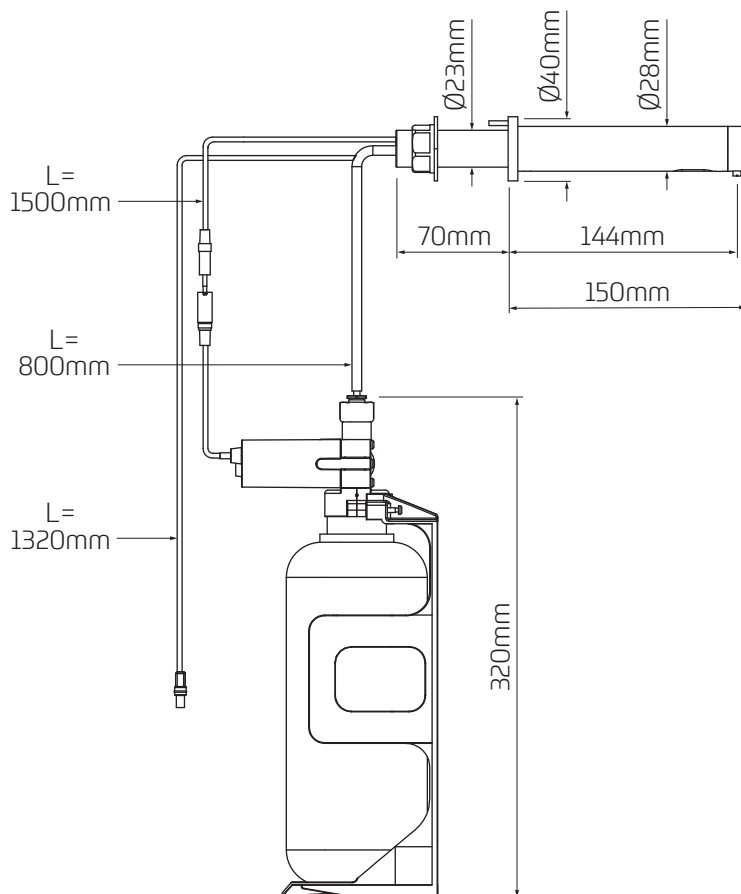
Wall mounted electronic dispenser for use with liquid soaps and anti-bacterial gels.

Features

- ~ Minimalistic design
- ~ Available in polished chrome, stainless steel and matt black (RAL 9005) finishes
- ~ Hygienic touch-free operation
- ~ Robust brass body
- ~ ½" BSP connection
- ~ 1 litre capacity
- ~ Can be used with soap viscosity of 0-3800 cps
- ~ 50mm - 300mm sensor range.



Dimensional Data



Technical Data

Operating Voltage	9V DC
Mains Supply	230V AC 50Hz
Battery Supply	6 x 1.5V D Batteries