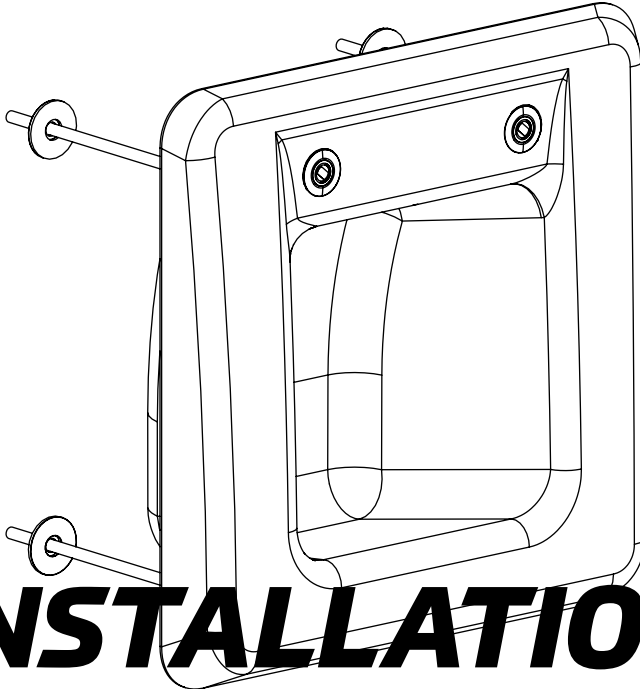


Resan



INSET BASIN V1
WALL MOUNTED HAND RINSE BASIN



INSTALLATION GUIDE

IMPORTANT NOTES

This instruction should be read carefully prior to installation.

Heavy product: Safe lifting procedure should be followed. See product label for weight.

These instructions provide a general guide only as specific installation conditions may vary.

Unpack the product carefully to avoid damage.

Do not place the product on abrasive or gritty surfaces to avoid damage.

Check the product for damage and defects prior to installation.

Ensure that the walls in the installation area are level flat and capable of supporting the product weight. Some support framing may be required (not supplied).

Ensure the basin is installed level and flat.

CL00 Basin - Suitable overflow drainage may be required.

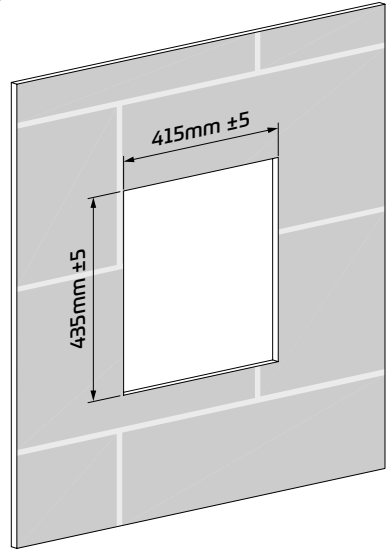
The use of scouring pads or abrasive and harsh chemical cleaning agents should be avoided. The use of warm soapy water is recommended for cleaning.

Install sensors prior to basin installation.

TECHNICAL DATA

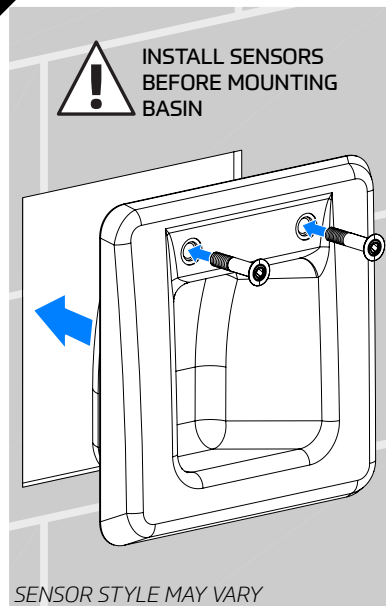
Inlet Connection	½" BSP Female
Waste Connection	1¼" BSP Female (solvent weld adaptor supplied)
Tap Outlets	1
Tap Flow Rate	0.5 gpm MAX
Waste Grille	304 Stainless steel rear service (optional extra)
Min. Service Void Depth	300mm
Required Wall Recess	W415mm ±5 H435mm ±5
Overflow Class	CL00

1a

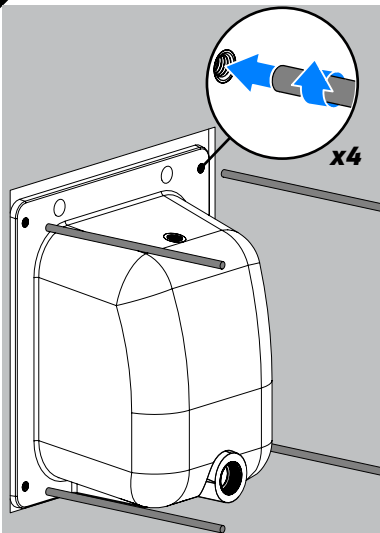


NOTE: RECOMMENDED BASIN RIM HEIGHT 780 - 800mm

1b

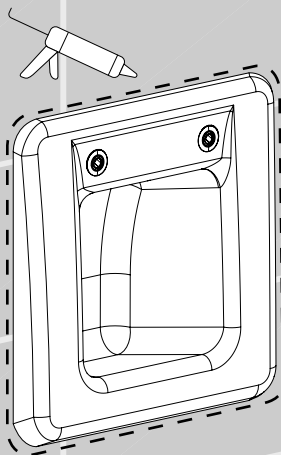


2

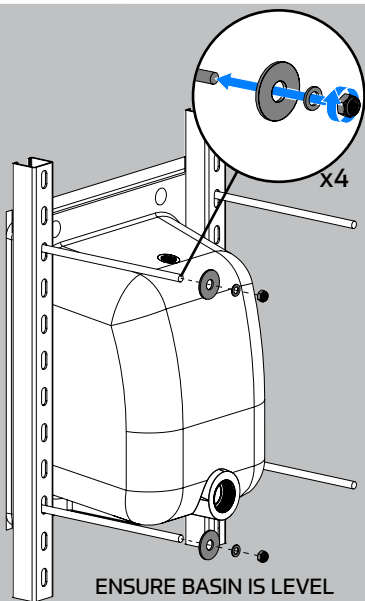


4

USE SUITABLE ANTI-PICK MASTIC TO SEAL JOINT



3

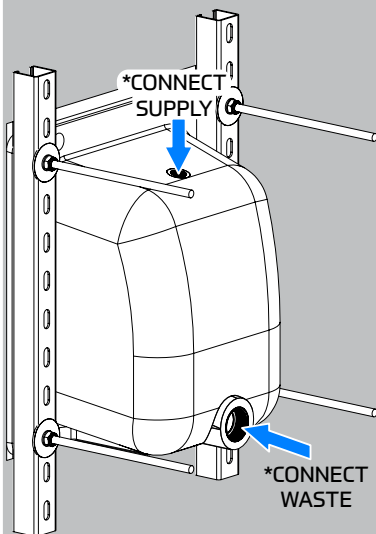


ENSURE BASIN IS LEVEL



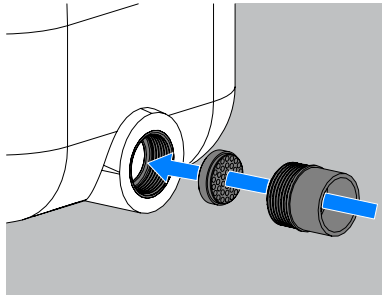
ADEQUATE SUPPORT OR ANCHORING REQUIRED (NOT SUPPLIED)

5



*FITTINGS NOT SUPPLIED

6 OPTIONAL WASTE GRILLE

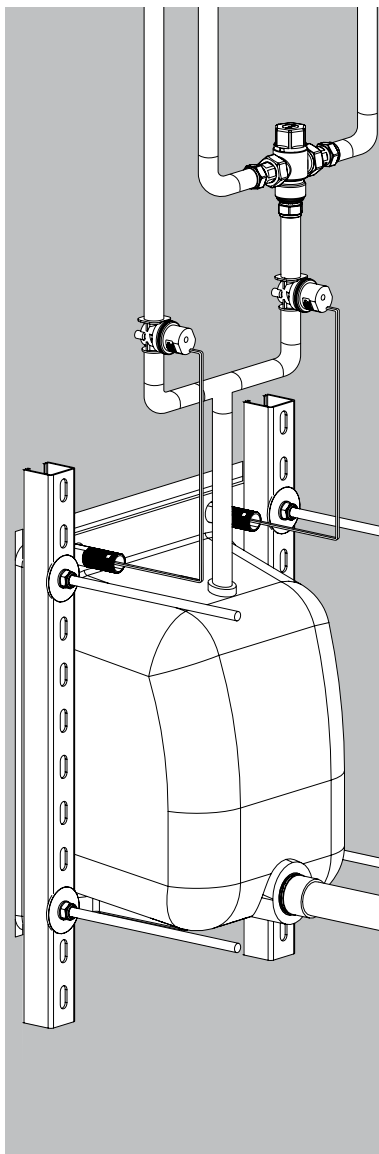


7

Final Installation Checklist

- ~ Connect water supply.
- ~ Check connections are secure and fixed correctly.
- ~ Check installation for leaks.
- ~ Check sensor operation.
- ~ Visit www.tyde.co.uk for service & maintenance information.

TYPICAL INSTALLATION



TYDE

295 Birmingham New Road
Dudley, West Midlands
United Kingdom
DY1 4SJ

A Thomas Dudley Business

t +44 (0)121 557 5411

f +44 (0)121 557 5345

e info@tyde.co.uk

w www.thomasdudley.co.uk/tyde

© 2023 TYDE_R375222_15865 Iss E

TYDE
fluid
movement