



Applications

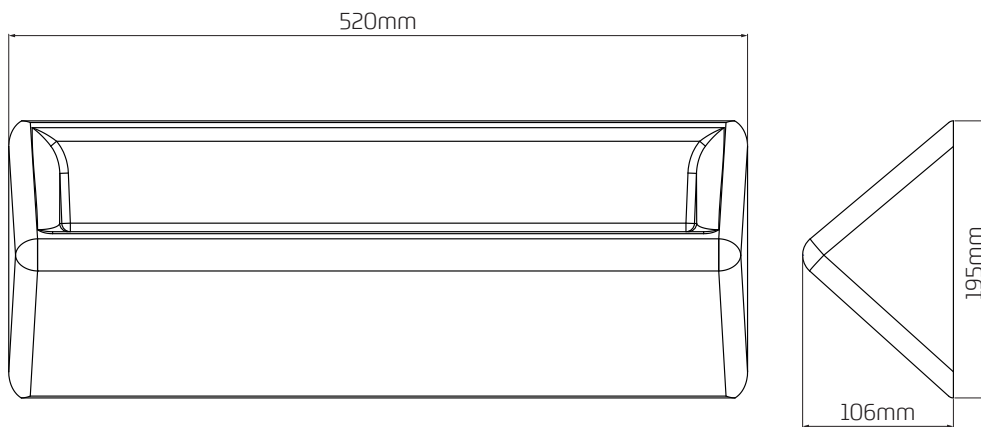
Suitable for installation within custodial, healthcare and commercial environments.

Features

- ~ Damage resistant
- ~ Anti-ligature
- ~ Ideal for creating safe and secure cell environments.



Dimensional Data



Technical Data

Material	Polymer Resin
Available Finishes	Matt, Gloss
Product Weight	7.5 kg
Fixing Orientation	Front Fixed
Fixing Size	M10 fixing points
Standard Conformity	BS 476 Pt.6 Fire propagation & surface spread of flame. ISO EN 19712-3-2007 Rated 5 for durability, stain resistance, cigarette burns etc.



Applications

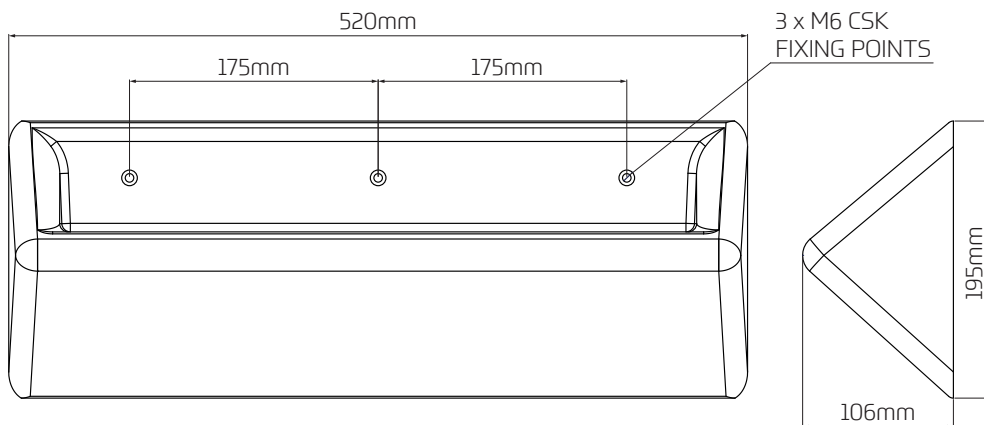
Suitable for installation within custodial, healthcare and commercial environments.

Features

- ~ Damage resistant
- ~ Anti-ligature
- ~ Ideal for creating safe and secure cell environments.



Dimensional Data



Technical Data

Material	Polymer Resin
Available Finishes	Matt, Gloss
Product Weight	7.5 kg
Fixing Orientation	Front Fixed
Fixing Size	M6 CSK fixing points
Standard Conformity	BS 476 Pt.6 Fire propagation & surface spread of flame. ISO EN 19712-3-2007 Rated 5 for durability, stain resistance, cigarette burns etc.