



RESAN® OVAL BASIN

Damage resistant wall fixed wash basin - centre tap hole

Applications

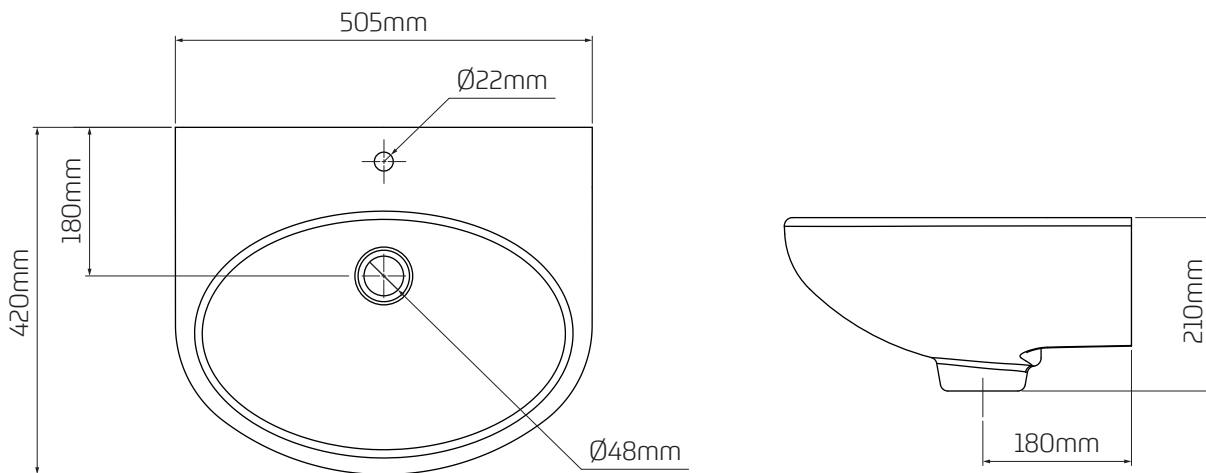
Suitable for installation within custodial, healthcare and commercial environments.

Features

- ~ Damage resistant
- ~ Centre tap hole
- ~ For use with robust wall fixing bracket (supplied separately)
- ~ Range of activation and control options available
- ~ Suitable as a direct retrofit for existing ceramic basin.



Dimensional Data



For wall fixing information see Resan Oval basin bracket data sheet

Technical Data

Material	Polymer Resin
Available Finishes	Matt, Gloss
Product Weight	21 kg
Fixing Orientation	Wall Fixed (Bracket Required)
Standard Conformity	BS 476 Pt.6 Fire propagation & surface spread of flame. ISO EN 19712-3-2007 Rated 5 for durability, stain resistance, Cigarette burns etc.



Applications

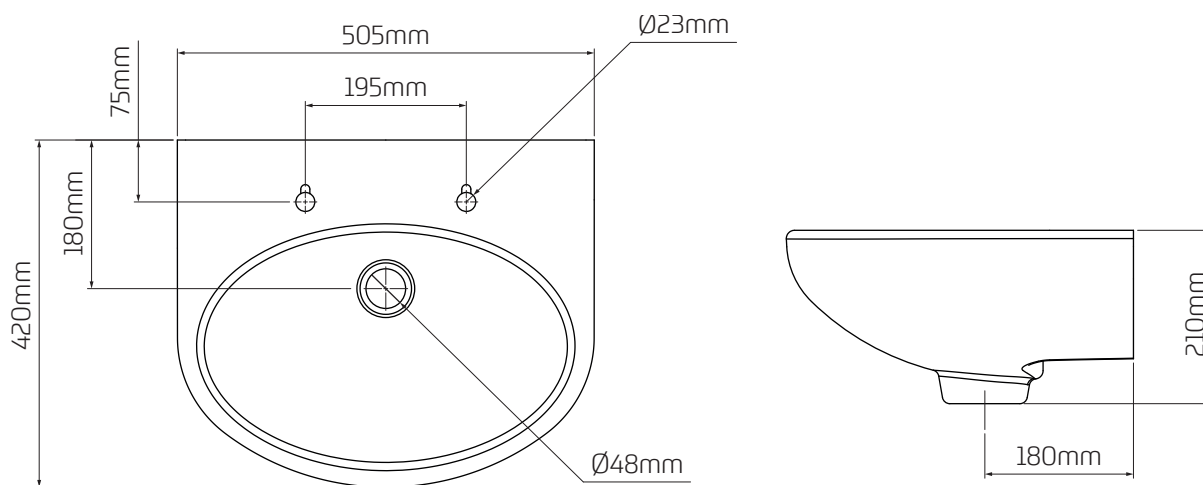
Suitable for installation within custodial, healthcare and commercial environments.

Features

- ~ Damage resistant
- ~ Dual tap holes
- ~ For use with robust wall fixing bracket (supplied separately)
- ~ Range of activation and control options available
- ~ Suitable as a direct retrofit for existing ceramic basin.



Dimensional Data



For wall fixing information see Resan Oval basin bracket data sheet

Technical Data

Material	Polymer Resin
Available Finishes	Matt, Gloss
Product Weight	21 kg
Fixing Orientation	Wall Fixed (Bracket Required)
Standard Conformity	BS 476 Pt.6 Fire propagation & surface spread of flame. ISO EN 19712-3-2007 Rated 5 for durability, stain resistance, Cigarette burns etc.