



Applications

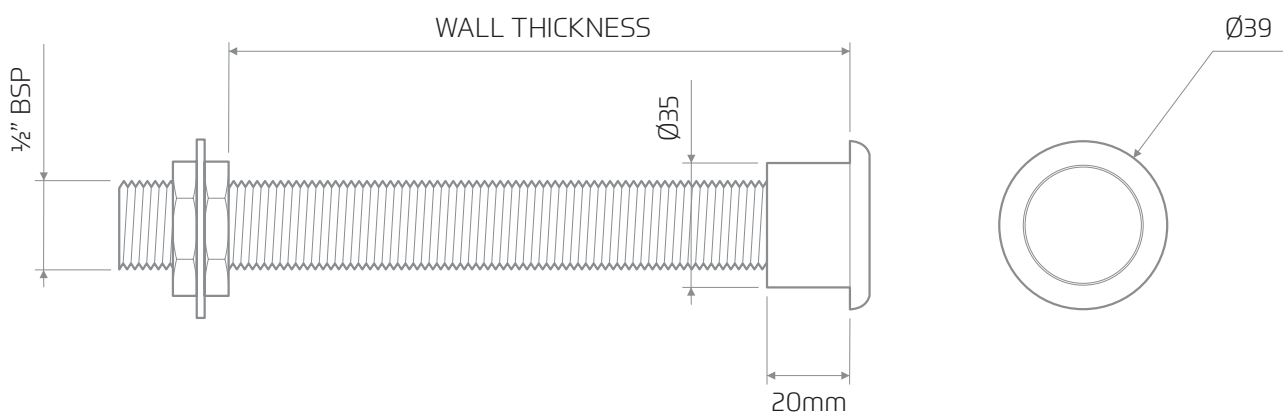
Through-wall control set for vandal resistant shower systems. For use in healthcare & secure sectors.

Features

- ~ Vandal resistant robust construction
- ~ Anti-ligature design
- ~ Stainless steel surround
- ~ Supplied with solenoid valve (½" BSP).



Dimensional Data



Technical Data

Connection	½" BSP
Operating Pressure	0.1 to 10 bar
Max. Static Pressure	10 bar
Max. Hot Water Temperature	46°C
Max. Air Tube Length	3 Metres
Wall Thickness	Up to 175mm