

Dudley



WC PAN (V3)

VANDAL & LIGATURE RESISTANT SANITARYWARE



INSTALLATION GUIDE

TYDE
fluid
movement

Give us your feedback for
the chance to win a prize!

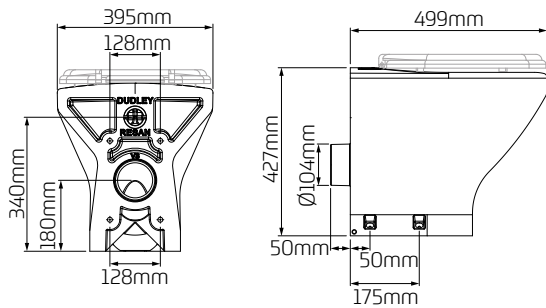


IMPORTANT NOTES

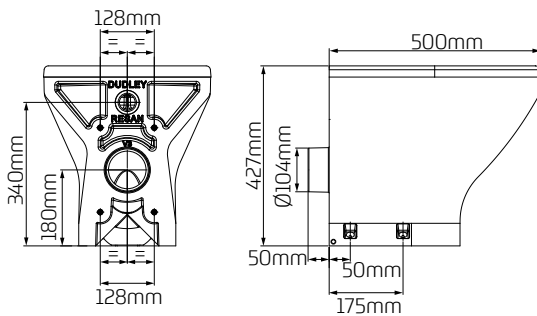
Read instructions carefully before attempting installation.
 These instructions provide a general guide only as specific installation conditions may vary.
 Installation requires 2 persons.
 Heavy product: Safe lifting procedure should be followed.
 Standard MAX 45kg. Corner Units MAX 55kg.
 Unpack the product carefully to avoid damage.
 Check the product for damage and defects prior to installation.
 Do not place the product on abrasive or gritty surfaces to avoid damage.
 For best flushing results use a full length flush pipe where possible.
 Ensure wall & floor in installation area are level, flat and capable of supporting the product weight.
 Flush should be calibrated using restrictor washers (supplied) to balance flush quality and splashing.
 Ensure the pan is installed level and flat.
 The use of scouring pads or abrasive and harsh chemical cleaning agents should be avoided. The use of warm soapy water is recommended for cleaning.

REFERENCE DIMENSIONS

STANDARD (SEAT OPTIONAL)

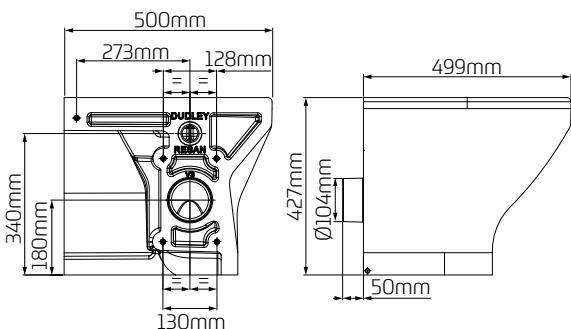


BONDED SEAT OPTION

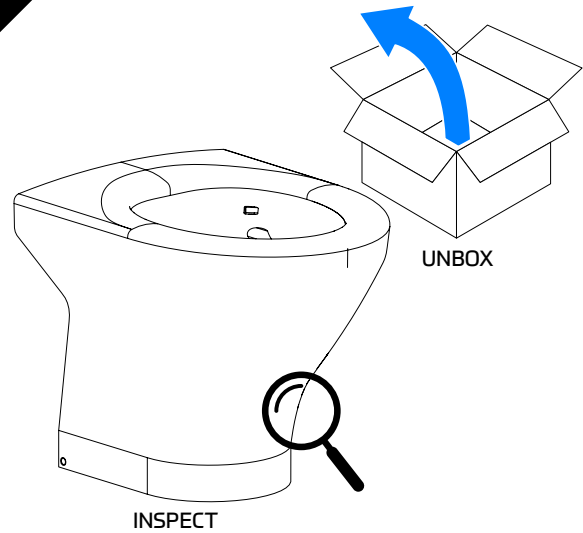


CORNER UNIT: LH & RH AVAILABLE

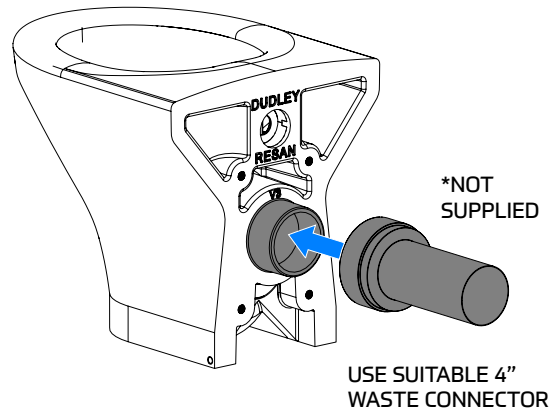
RH SHOWN



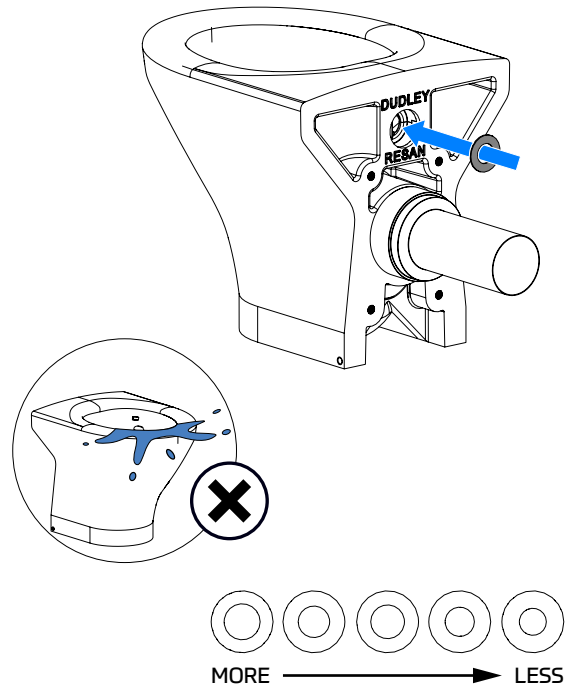
1

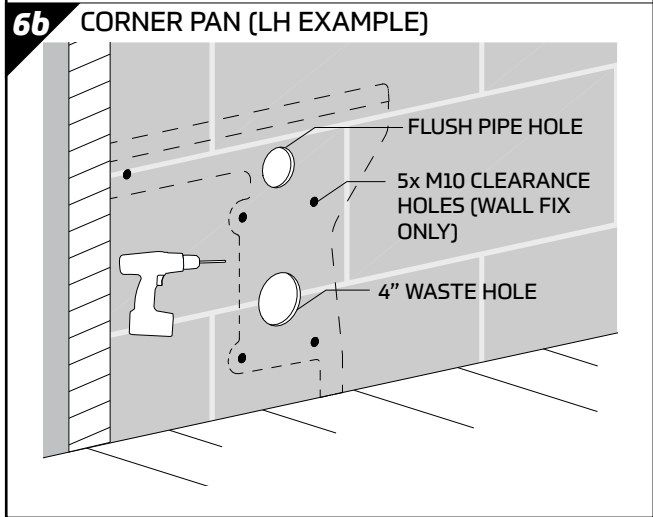
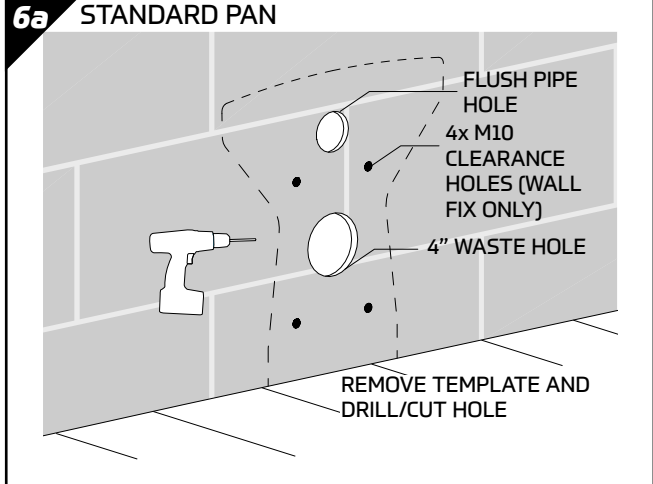
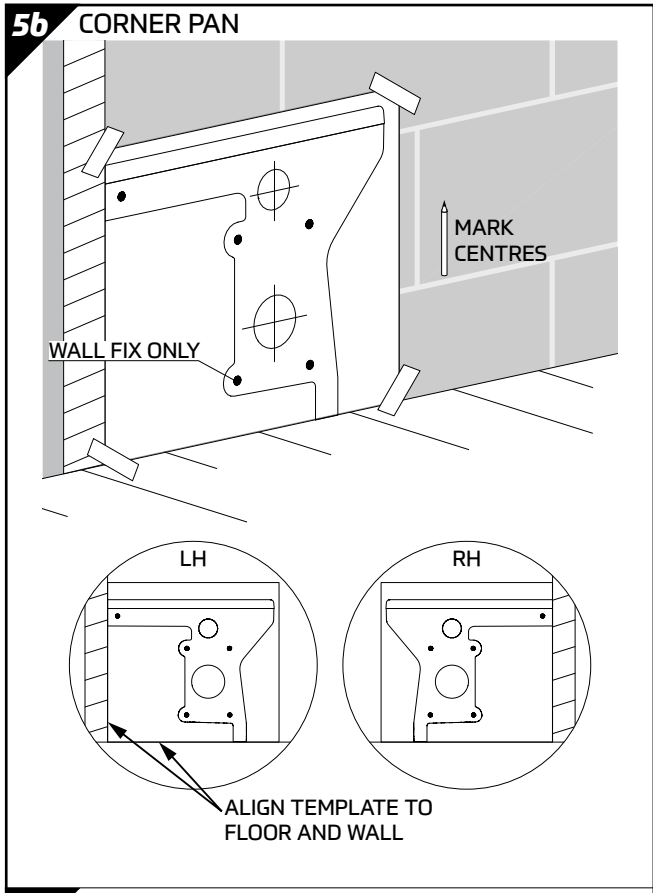
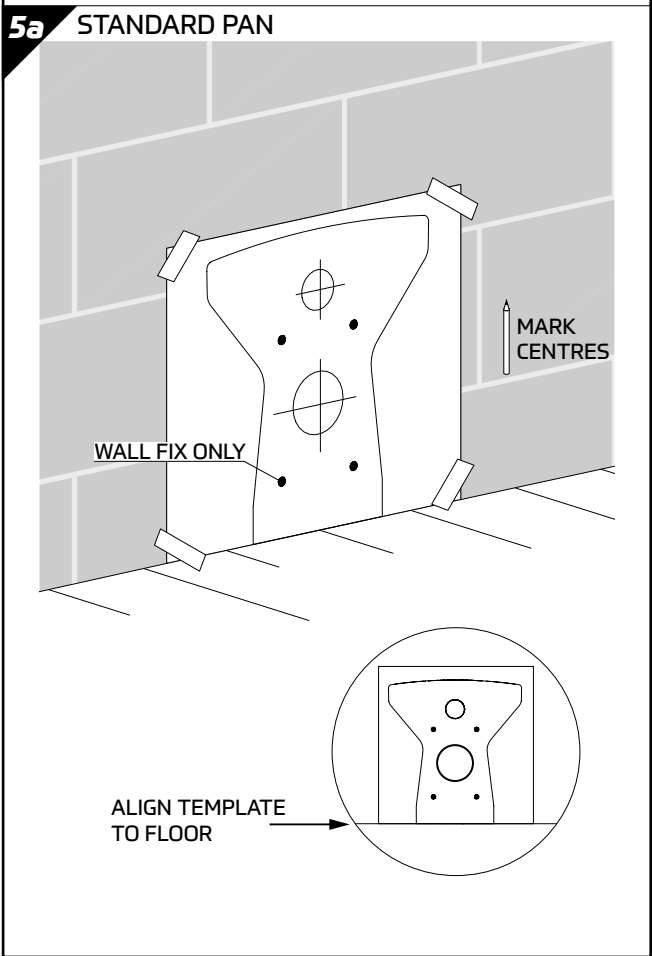
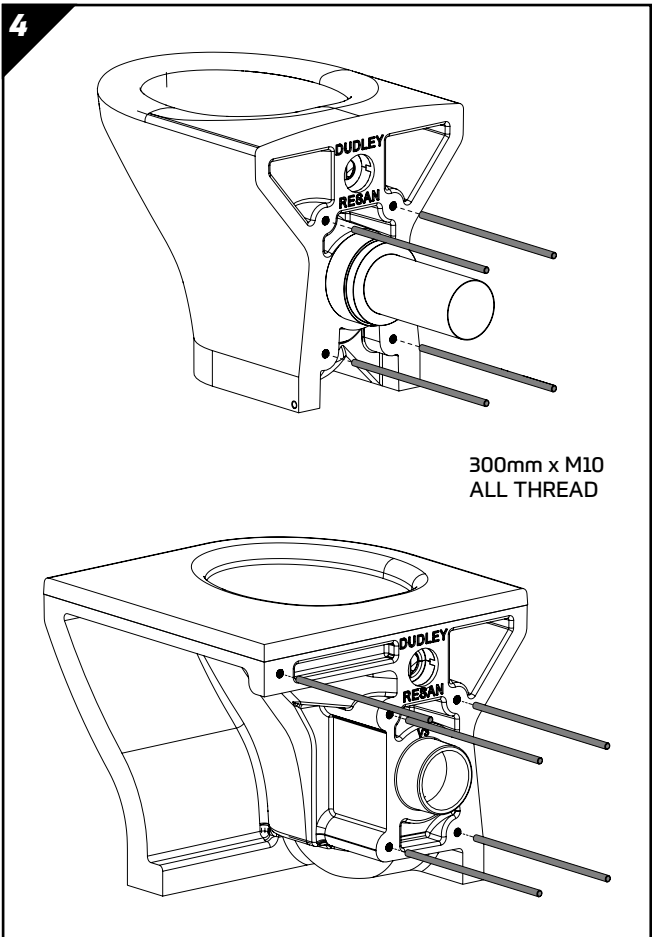


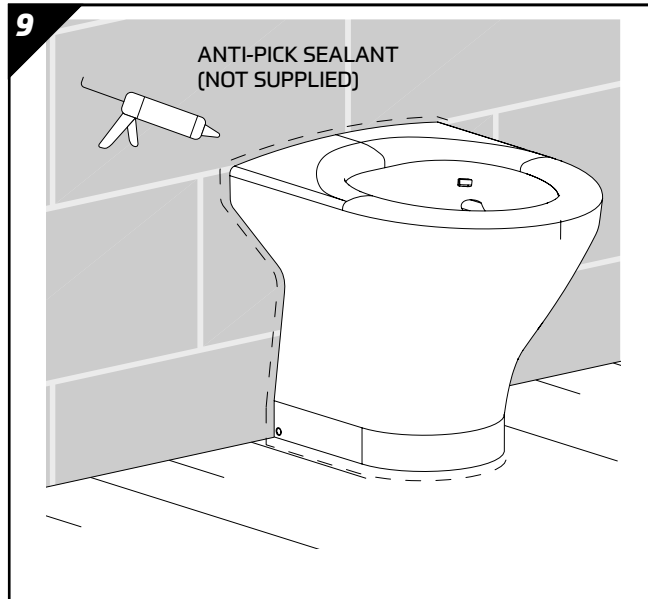
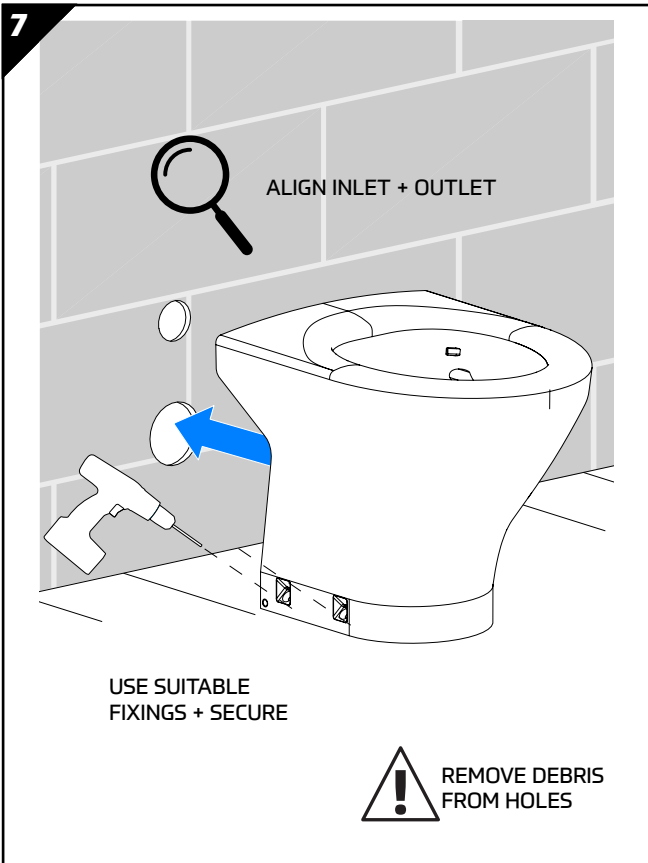
2



3







- 10** **Final Installation Checklist**
- ~ Fit cistern and connect inlet
 - ~ Connect waste pipe to waste services
 - ~ Commission pan and check all connections for leaks