



### Applications

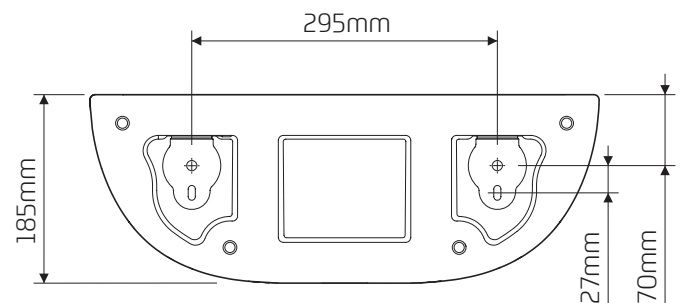
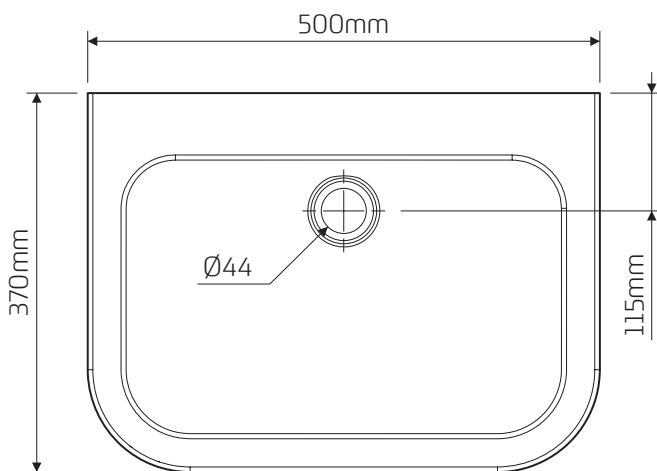
Suitable for installation within custodial, healthcare and commercial environments.

### Features

- ~ Damage resistant
- ~ Contemporary design
- ~ Range of activation and control options available
- ~ Suitable as a direct retrofit for existing ceramic basin
- ~ Brackets sold separately.



### Dimensional Data



### Technical Data

Material	Polymer Resin
Available Finishes	Matt, Gloss
Product Weight	22 kg
Fixing Orientation	Wall Fixed
Standard Conformity	BS 476 Pt.6 Fire propagation & surface spread of flame. ISO EN 19712-3-2007 Rated 5 for durability, stain resistance, Cigarette burns etc.