



RESAN® V2 LESS ABLE PAN EXTENSION

To suit Resan V2 less able pan

Applications

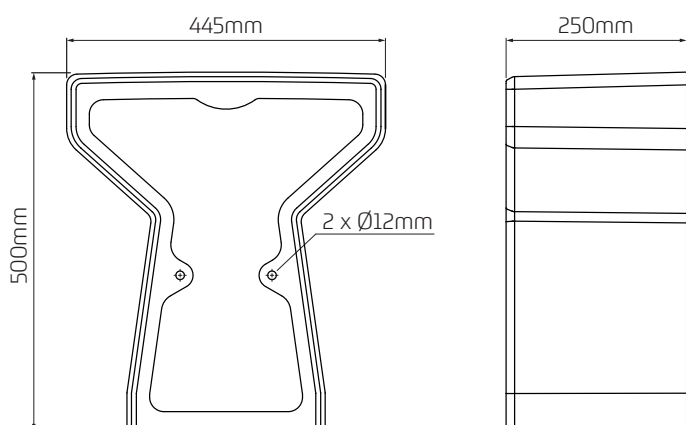
Suitable for installation within custodial, healthcare and commercial environments.

Features

- ~ Enables Resan V2 Less Able Pan to be installed 250mm from rear wall for increased access
- ~ Damage resistant
- ~ Anti-ligature.



Dimensional Data



Technical Data

Material	Polymer Resin
Available Finishes	Matt, Gloss
Product Weight	14.5 kg
Fixing Orientation	Wall fixed
Fixing Size	M10
Standard Conformity	BS 476 Pt.6 Fire propagation & surface spread of flame. ISO EN 19712-3-2007 Rated 5 for durability, stain resistance, cigarette burns etc.