



Damage resistant anti-ligature WC pan with seat and lid fixings

Applications

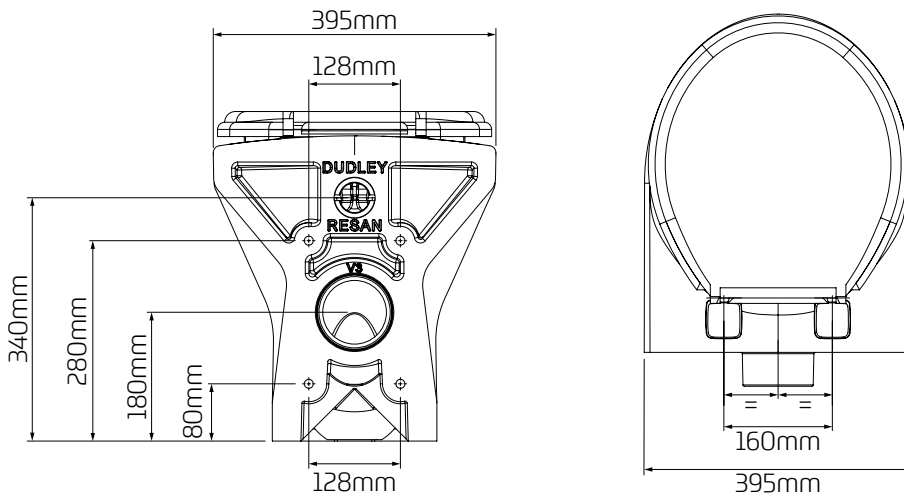
Suitable for installation within custodial, healthcare and commercial environments.

Features

- ~ Damage resistant
- ~ Standard white WC pans are cast in a single piece, reducing joint joints which are difficult to clean and enhancing strength
- ~ The waste spigot height is 180mm (BS EN 33)
- ~ Easily renewable surface - no gel coat
- ~ Concealed through-wall services and fixings
- ~ Seat is **NOT** included but is available with this model [375059]
- ~ Non-Flammable – BS476 Pt 6 & 7 Class '0' and Class '1'
- ~ BS EN 997 6/4 Litre and 5/3 Flush Approval
- ~ BS EN 33:2019 WC pans and WC suites- Connecting Dimensions
- ~ Supports requirements of WAT 01 BREEAM
- ~ UKCA/CE Marked



Dimensional Data



Technical Data

Material	Polymer Resin
Available Finishes	Polished Resin for Gloss Effect
Product Weight	46 kg
Fixing Orientation	Wall Fixed
Fixing Size	M10 [fixings not provided]
Standard Conformity	BS 476 Pt.6 Fire propagation & surface spread of flame. ISO EN 19712-3-2007 Rated 5 for durability, stain resistance, cigarette burns etc.
Product Code	334080

Dudley



RESAN® PAN V3 FLOOR FIXED

Damage resistant anti-ligature WC pan
with seat and lid fixings

Applications

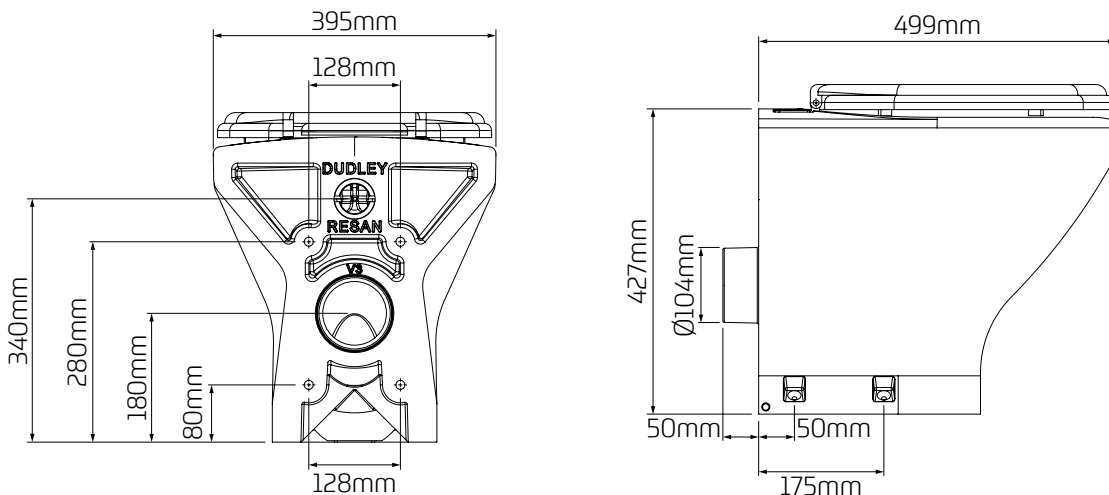
Suitable for installation within custodial, healthcare and commercial environments.

Features

- ~ Damage resistant
- ~ Standard white WC pans are cast in a single piece, reducing join joints which are difficult to clean and enhancing strength
- ~ The waste spigot height is 180mm (BS EN 33)
- ~ Easily renewable surface - no gel coat
- ~ Concealed through-wall services and fixings
- ~ Seat is **NOT** included but is available with this model [375059]
- ~ Non-Flammable – BS476 Pt 6 & 7 Class '0' and Class '1'
- ~ BS EN 997 6/4 Litre and 5/3 Flush Approval
- ~ BS EN 33:2019 WC pans and WC suites- Connecting Dimensions
- ~ Supports requirements of WAT 01 BREEAM
- ~ UKCA/CE Marked



Dimensional Data



Technical Data

Material	Polymer Resin
Available Finishes	Polished Resin for Gloss Effect
Product Weight	47 kg
Fixing Orientation	Floor Fixed
Fixing Size	M6 CSK Floor fixing points [fixings not provided]
Standard Conformity	BS 476 Pt.6 Fire propagation & surface spread flame. ISO EN 19712-3-2007 Rated 5 for durability, stain resistance, cigarette burns etc. BS EN 33 Performance tested to BS997
Product Code	334082