

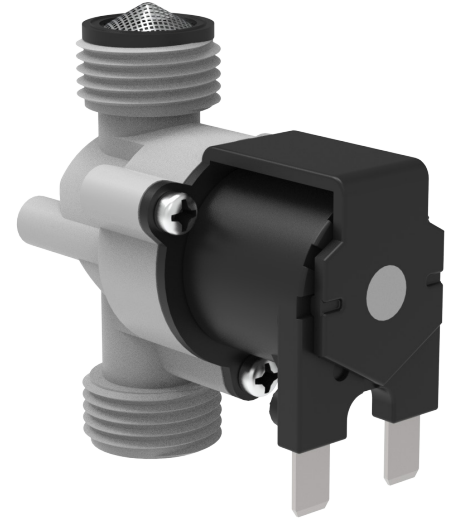


Applications

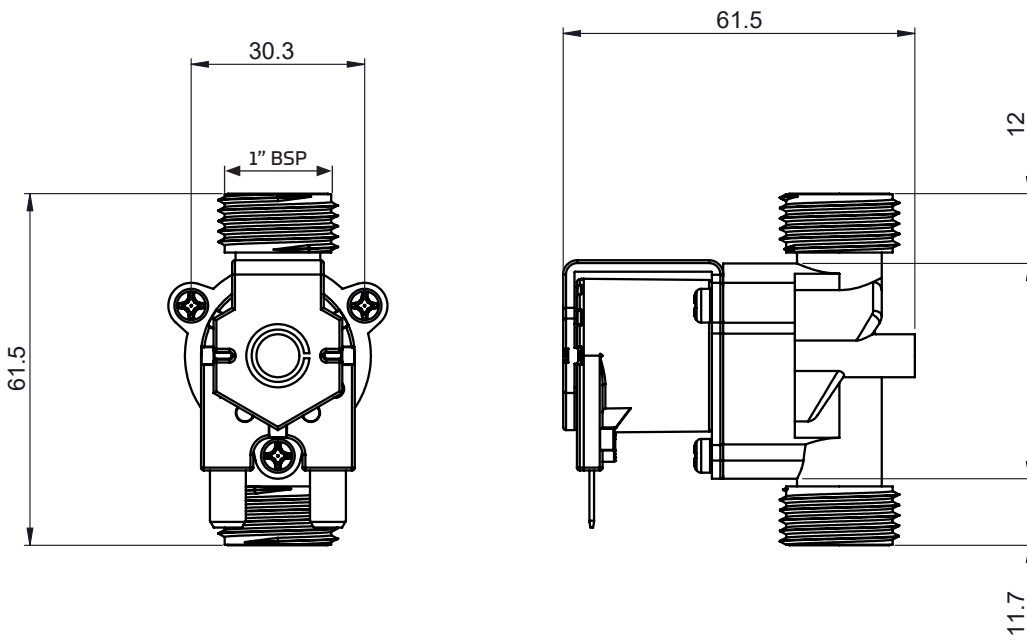
This Solenoid valve is used for controlling the water supplies to the Shower, Hot and Cold taps.

Features

- ~ Activation via Piezo touch button or infra-red sensor
- ~ WRAS approved
- ~ Supplied with FI to 15mm compression fittings and includes a 4M output cable
- ~ Fasten Electrical Terminal connections for ease of installation
- ~ No polarity on Electrical Terminal connections
- ~ It is recommended that the inline filter supplied is fitted to the inlet of the valve. Please note direction of flow



Dimensional Data



Technical Data

Operation	Non-Latching
Operating Pressure	0.2 - 10 Bar
Operating Temperature	Max 60°C
Operating Voltage	12VDC
Connection Size	1/2" BSP
Product Code	374578