



Applications

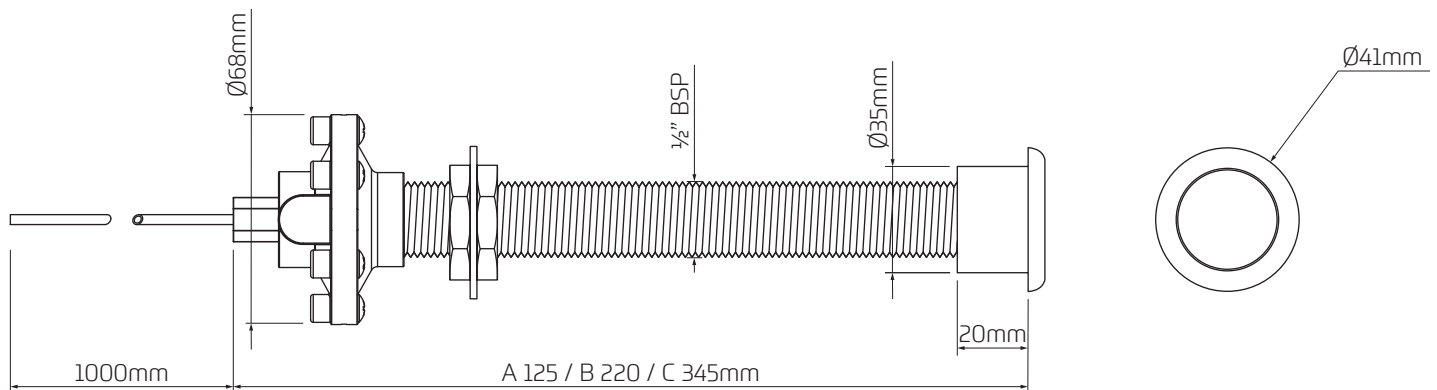
Through-the-wall control set for vandal resistant wash basins. For use in healthcare and secure sectors.

Features

- ~ 3 sizes available to suit a range of wall thicknesses
- ~ Vandal-resistant robust construction
- ~ Anti-ligature design
- ~ Stainless steel surround
- ~ Anodised colour coded push buttons
- ~ Supplied with pneumatic solenoid valve (½" BSP)
- ~ Adjustable automatic shut-off.



Dimensional Data



Technical Data

Connection	½" BSP
Operating Pressure	0.1 - 10 bar
Max. Static Pressure	10 bar
Max. Hot Water Temp	46°C
Max. Air Tube Length	3 Metres
Auto Shut off	Min. 5 Seconds - Max. 5 Minutes (10-12 seconds recommended)
Code	A - 332825 for walls <25mm B - 326185 for walls <120mm C - 327822 for walls <245mm