



Vandal resistant anti-ligature  
wall mounted shower head

### Applications

Fixed wall mounted shower head for use with walls up to 230mm thick.

### Water Saving

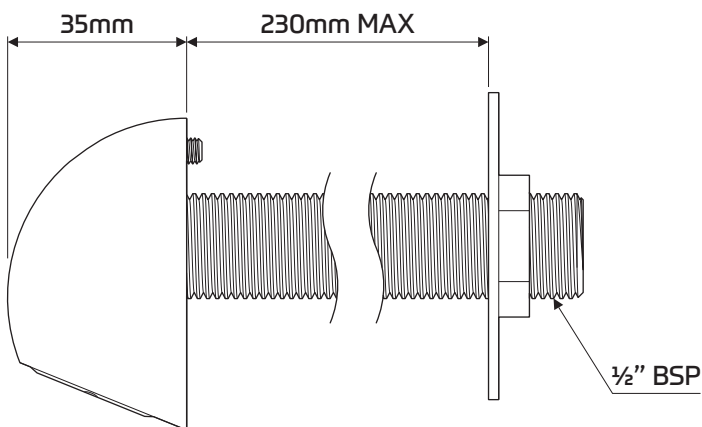
Automatic flow rate regulation.

### Features

- ~ Anti-ligature design
- ~ Scale-resistant
- ~ Automatic flow regulation
- ~ Adjustable spray nozzle with locking feature
- ~ Concealed fixings
- ~ Systematically drains after use (no water retention or impurity deposits)
- ~ WRAS approved product
- ~ 10 year warranty
- ~ Anti swivel lug (see drawing)



### Dimensional Data



### Technical Data

Material	Brass
Finish	Chrome plated
Flow Rate	6 LPM @ 3 BAR
Connection	1/2" BSP