



Less able damage resistant
anti-ligature WC pan

Applications

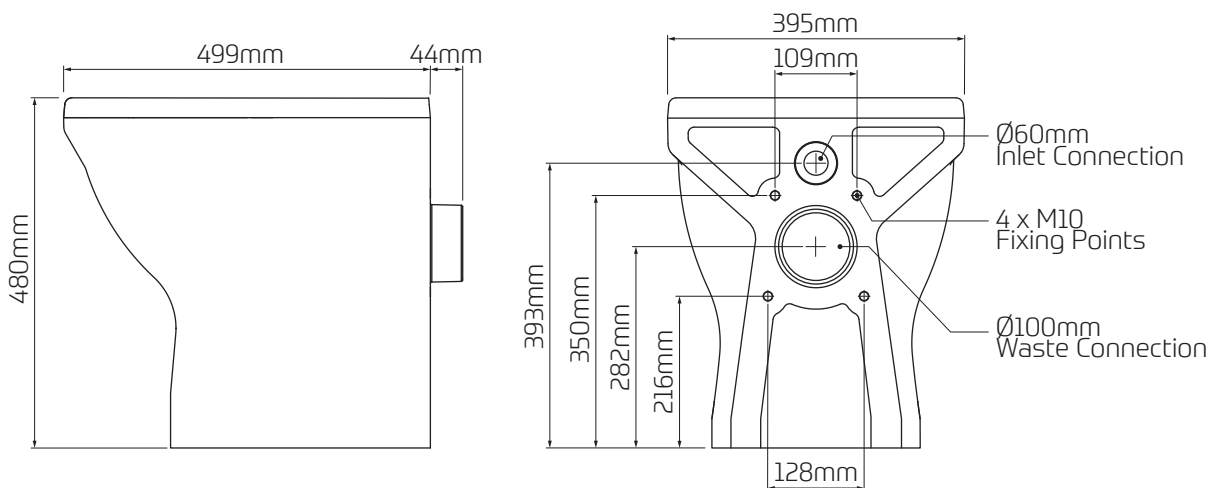
Suitable for installation within custodial, healthcare and commercial environments.

Features

- ~ Damage resistant
- ~ Anti-ligature
- ~ Range of activation and control options available
- ~ Raised height for less able applications
- ~ EN outlet connection.



Dimensional Data



Technical Data

Material	Polymer Resin
Available Finishes	Matt, Gloss
Product Weight	52 kg
Fixing Orientation	Wall Fixed
Fixing Size	M10
Standard Conformity	BS 476 Pt.6 Fire propagation & surface spread of flame. ISO EN 19712-3-2007 Rated 5 for durability, stain resistance, cigarette burns etc.
Product Code	372558



RESAN® PAN V2 LESS ABLED PAN

Less able damage resistant
Wall Fixed WC pan with blue seat

Applications

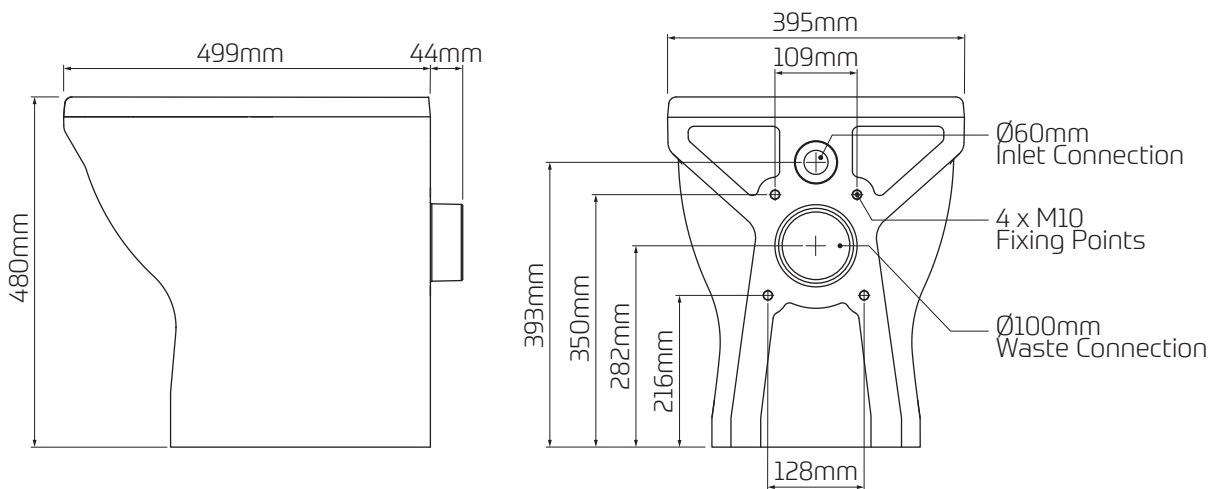
Suitable for installation within custodial, healthcare and commercial environments.

Features

- ~ Damage resistant
- ~ Anti-ligature
- ~ Blue integral moulded seat aids the visually impaired and provides a normalised environment in mental healthcare applications
- ~ UK Ministry Of Justice Safer Cell Approved [Bolt to wall only]
- ~ Range of activation and control options available
- ~ Raised height for less able applications
- ~ EN outlet connection.



Dimensional Data



Technical Data

Material	Polymer Resin
Available Finishes	Matt, Gloss
Seat Colour	Blue - RAL 5003
Product Weight	52 kg
Fixing Orientation	Wall Fixed
Fixing Size	M10
Standard Conformity	BS 476 Pt.6 Fire propagation & surface spread of flame. ISO EN 19712-3-2007 Rated 5 for durability, stain resistance, cigarette burns etc.
Product Code	372559



Less able damage resistant
Wall Fixed WC pan with grey seat

Applications

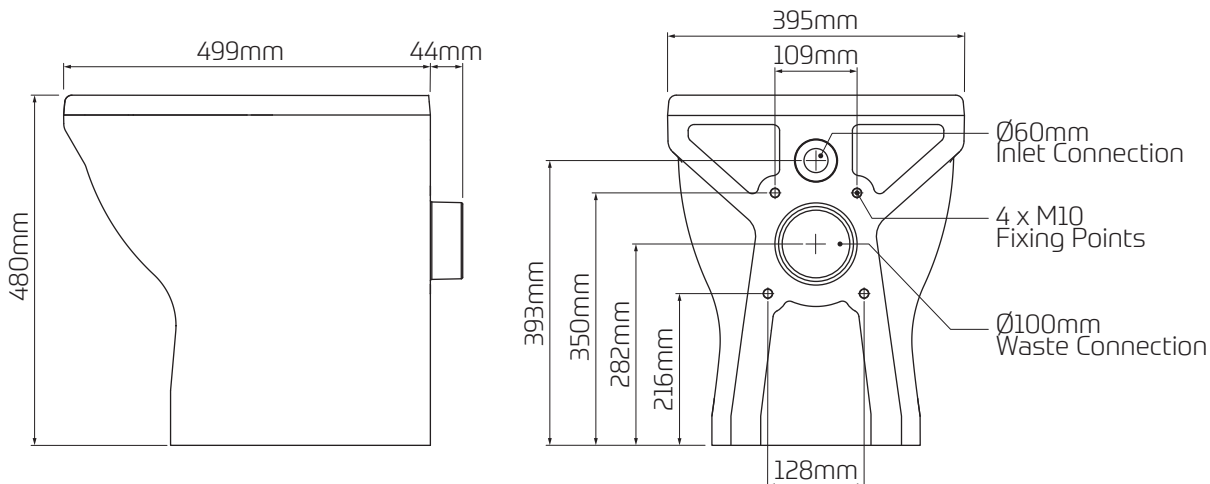
Suitable for installation within custodial, healthcare and commercial environments.

Features

- ~ Damage resistant
- ~ Anti-ligature
- ~ UK Ministry Of Justice Safer Cell Approved [Bolt to wall only]
- ~ Grey integral moulded seat aids the visually impaired and provides a normalised environment in mental healthcare applications
- ~ Range of activation and control options available
- ~ Raised height for less able applications
- ~ EN outlet connection



Dimensional Data



Technical Data

Material	Polymer Resin
Available Finishes	Matt, Gloss
Seat Colour	Grey - RAL 7022
Product Weight	52 kg
Fixing Orientation	Wall Fixed
Fixing Size	M10
Standard Conformity	BS 476 Pt.6 Fire propagation & surface spread of flame. ISO EN 19712-3-2007 Rated 5 for durability, stain resistance, cigarette burns etc.
Product Code	372560



RESAN® PAN V2 FLOOR FIXED

Less able damage resistant
anti-ligature WC pan

Applications

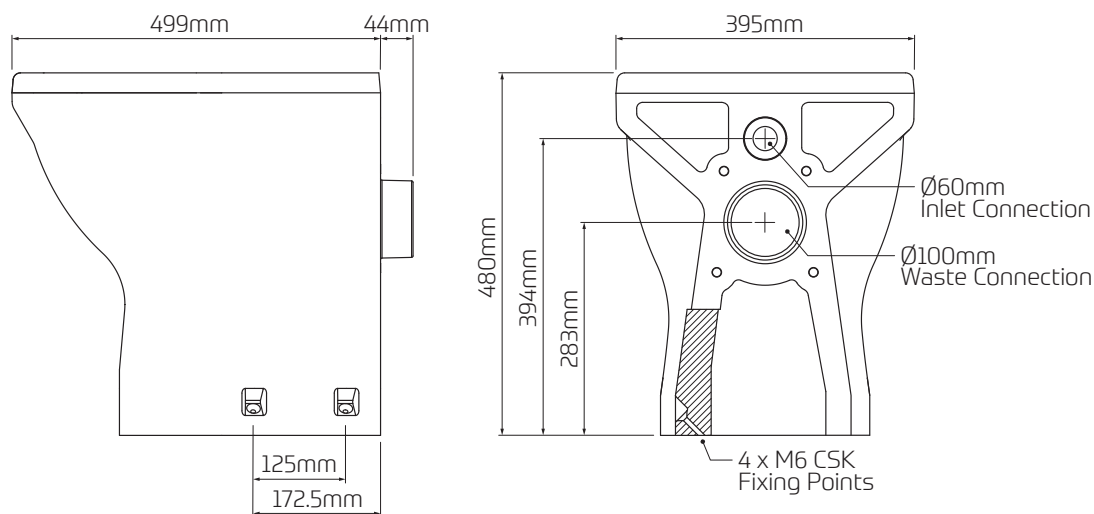
Suitable for installation within custodial, healthcare and commercial environments.

Features

- ~ Damage resistant
- ~ Anti-ligature
- ~ Range of activation and control options available
- ~ Raised height for less able applications
- ~ EN outlet connection.



Dimensional Data



Technical Data

Material	Polymer Resin
Available Finishes	Matt, Gloss
Product Weight	52 kg
Fixing Orientation	Floor Fixed
Fixing Size	M6 CSK Floor fixing points
Standard Conformity	BS 476 Pt.6 Fire propagation & surface spread of flame. ISO EN 19712-3-2007 Rated 5 for durability, stain resistance, cigarette burns etc.
Product Code	372561



RESAN® PAN V2 FLOOR FIXED

Less able damage resistant
anti-ligature WC pan with blue seat

Applications

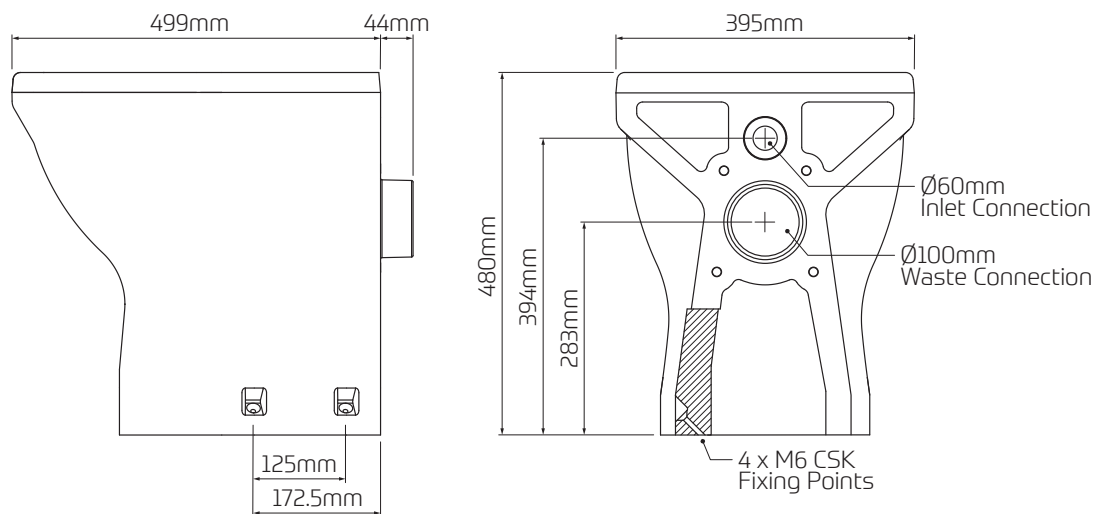
Suitable for installation within custodial, healthcare and commercial environments.

Features

- ~ Damage resistant
- ~ Anti-ligature
- ~ Blue integral moulded seat aids the visually impaired and provides a normalised environment in mental healthcare applications
- ~ Range of activation and control options available
- ~ Raised height for less able applications
- ~ EN outlet connection.



Dimensional Data



Technical Data

Material	Polymer Resin
Available Finishes	Matt, Gloss
Seat Colour	Blue - RAL 5003
Product Weight	52 kg
Fixing Orientation	Floor Fixed
Fixing Size	M6 CSK Floor fixing points
Standard Conformity	BS 476 Pt.6 Fire propagation & surface spread of flame. ISO EN 19712-3-2007 Rated 5 for durability, stain resistance, cigarette burns etc.
Product Code	372562



RESAN® PAN V2 FLOOR FIXED

Less able damage resistant
anti-ligature WC pan with grey seat

Applications

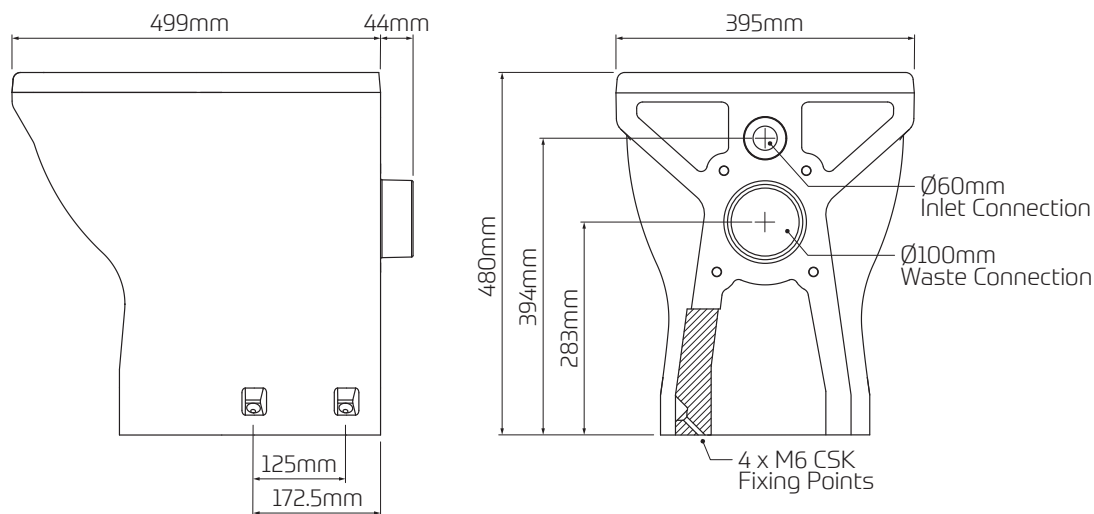
Suitable for installation within custodial, healthcare and commercial environments.

Features

- ~ Damage resistant
- ~ Anti-ligature
- ~ Grey integral moulded seat aids the visually impaired and provides a normalised environment in mental healthcare applications
- ~ Range of activation and control options available
- ~ Raised height for less able applications
- ~ EN outlet connection.



Dimensional Data



Technical Data

Material	Polymer Resin
Available Finishes	Matt, Gloss
Seat Colour	Grey - RAL 7022
Product Weight	52 kg
Fixing Orientation	Floor Fixed
Fixing Size	M6 CSK Floor fixing points
Standard Conformity	BS 476 Pt.6 Fire propagation & surface spread of flame. ISO EN 19712-3-2007 Rated 5 for durability, stain resistance, cigarette burns etc.
Product Code	372563