



Damage resistant  
anti-ligature WC pan

### Applications

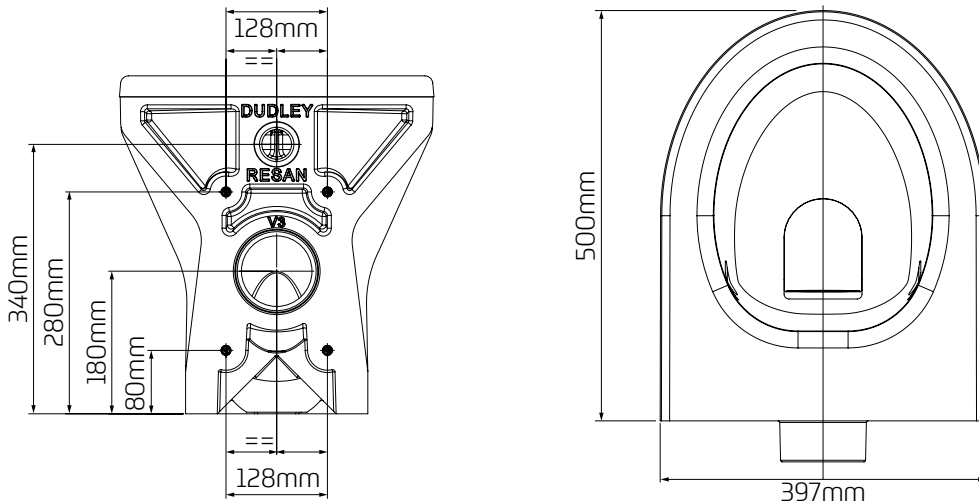
Suitable for installation within custodial, healthcare and commercial environments.

### Features

- ~ Anti-Ligature
- ~ Damage resistant
- ~ Standard white WC pans are cast in a single piece, reducing join joints which are difficult to clean and enhancing strength
- ~ The waste spigot height is 180mm (BS EN 33)
- ~ Easily renewable surface - no gel coat
- ~ Supports requirements of WAT 01 BREEAM
- ~ UKCA/CE Marked
- ~ UK Ministry of Justice Safer Cell Approval Pending



### Dimensional Data



### Technical Data

Material	Polymer Resin
Available Finishes	Polished Resin for Gloss Effect
Product Weight	46 kg
Fixing Orientation	Wall Fixed
Fixing Size	M10
Standard Conformity	BS 476 Pt.6 Fire propagation & surface spread flame. ISO EN 19712-3-2007 Rated 5 for durability, stain resistance, cigarette burns etc. BS EN 33 Performance tested to BS997
Product Code	334077



Damage resistant anti-ligature WC pan with blue seat

### Applications

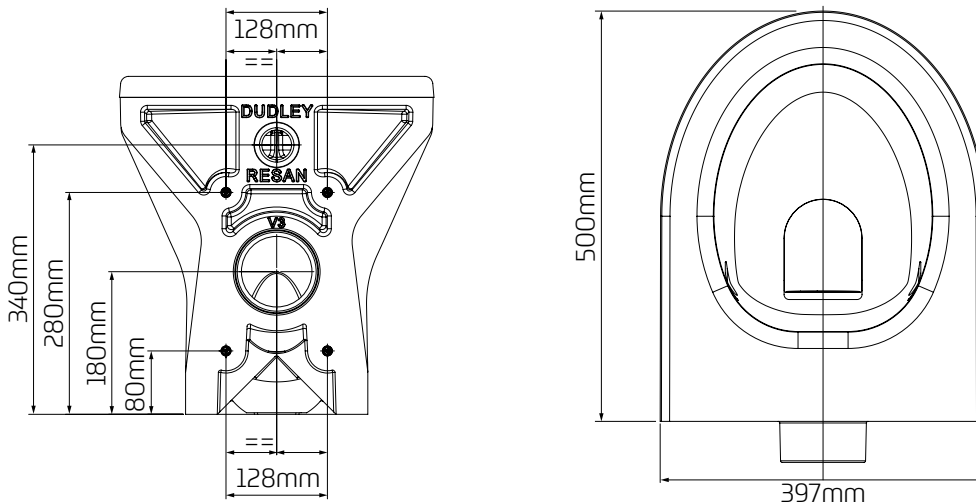
Suitable for installation within custodial, healthcare and commercial environments.

### Features

- ~ Anti-Ligature
- ~ Damage resistant
- ~ Blue integral moulded seat aids the visually impaired and provides a normalised environment in mental healthcare applications
- ~ The waste spigot height is 180mm (BS EN 33)
- ~ Easily renewable surface - no gel coat
- ~ Supports requirements of WAT 01 BREEAM
- ~ UKCA/CE Marked
- ~ UK Ministry of Justice Safer Cell Approval Pending



### Dimensional Data



### Technical Data

Material	Polymer Resin
Available Finishes	Polished Resin for Gloss Effect
Seat Colour	Blue – RAL 5003
Product Weight	47 kg
Fixing Orientation	Wall Fixed
Fixing Size	M6 CSK Floor fixing points
Standard Conformity	BS 476 Pt.6 Fire propagation & surface spread flame. ISO EN 19712-3-2007 Rated 5 for durability, stain resistance, cigarette burns etc. BS EN 33 Performance tested to BS997
Product Code	334086



Damage resistant anti-ligature WC pan with grey seat

### Applications

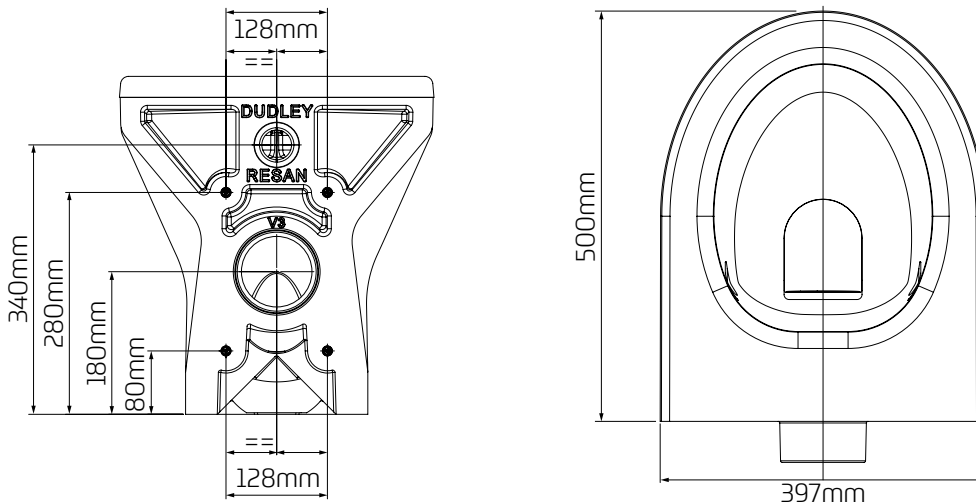
Suitable for installation within custodial, healthcare and commercial environments.

### Features

- ~ Anti-Ligature
- ~ Damage resistant
- ~ Grey integral moulded seat aids the visually impaired and provides a normalised environment in mental healthcare applications
- ~ The waste spigot height is 180mm (BS EN 33)
- ~ Easily renewable surface - no gel coat
- ~ Supports requirements of WAT 01 BREEAM
- ~ UKCA/CE Marked
- ~ UK Ministry of Justice Safer Cell Approval Pending



### Dimensional Data



### Technical Data

Material	Polymer Resin
Available Finishes	Polished Resin for Gloss Effect
Seat Colour	Grey – RAL 7022
Product Weight	47 kg
Fixing Orientation	Wall Fixed
Fixing Size	M6 CSK Floor fixing points
Standard Conformity	BS 476 Pt.6 Fire propagation & surface spread flame. ISO EN 19712-3-2007 Rated 5 for durability, stain resistance, cigarette burns etc. BS EN 33 Performance tested to BS997
Product Code	375047



Damage resistant  
anti-ligature WC pan

### Applications

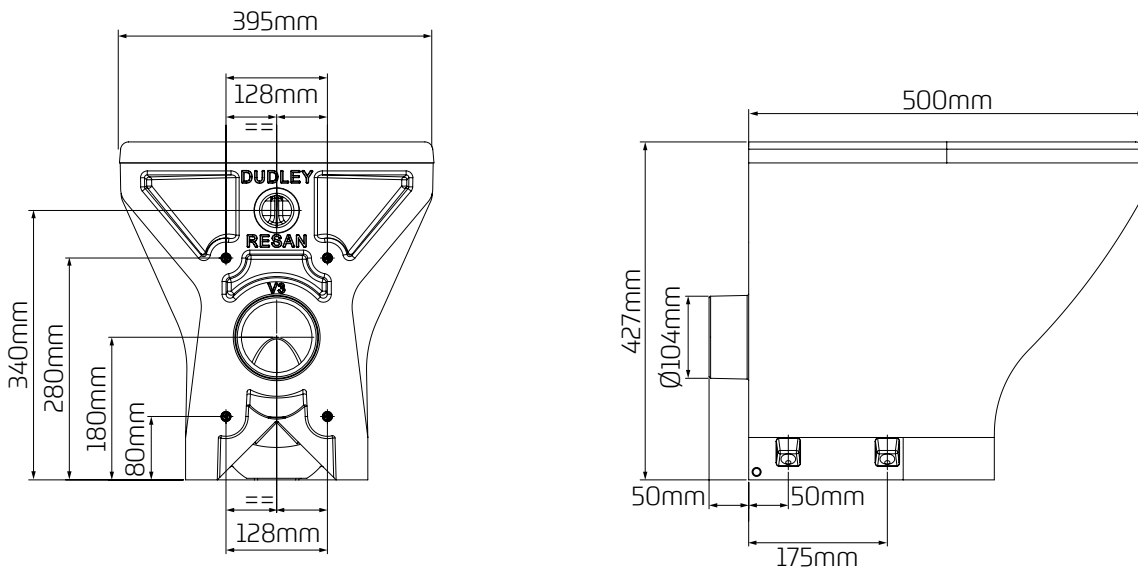
Suitable for installation within custodial, healthcare and commercial environments.

### Features

- ~ Anti-Ligature
- ~ Damage resistant
- ~ Standard white WC pans are cast in a single piece, reducing join joints which are difficult to clean and enhancing strength
- ~ The waste spigot height is 180mm (BS EN 33)
- ~ Easily renewable surface - no gel coat
- ~ Supports requirements of WAT 01 BREEAM
- ~ UKCA/CE Marked
- ~ UK Ministry of Justice Safer Cell Approval Pending



### Dimensional Data



### Technical Data

Material	Polymer Resin
Available Finishes	Polished Resin for Gloss Effect
Product Weight	46 kg
Fixing Orientation	Floor Fixed
Fixing Size	M6 CSK Floor fixing points [fixings not provided]
Standard Conformity	BS 476 Pt.6 Fire propagation & surface spread flame. ISO EN 19712-3-2007 Rated 5 for durability, stain resistance, cigarette burns etc. BS EN 33 Performance tested to BS997
Product Code	334084



Damage resistant anti-ligature WC pan with blue seat

### Applications

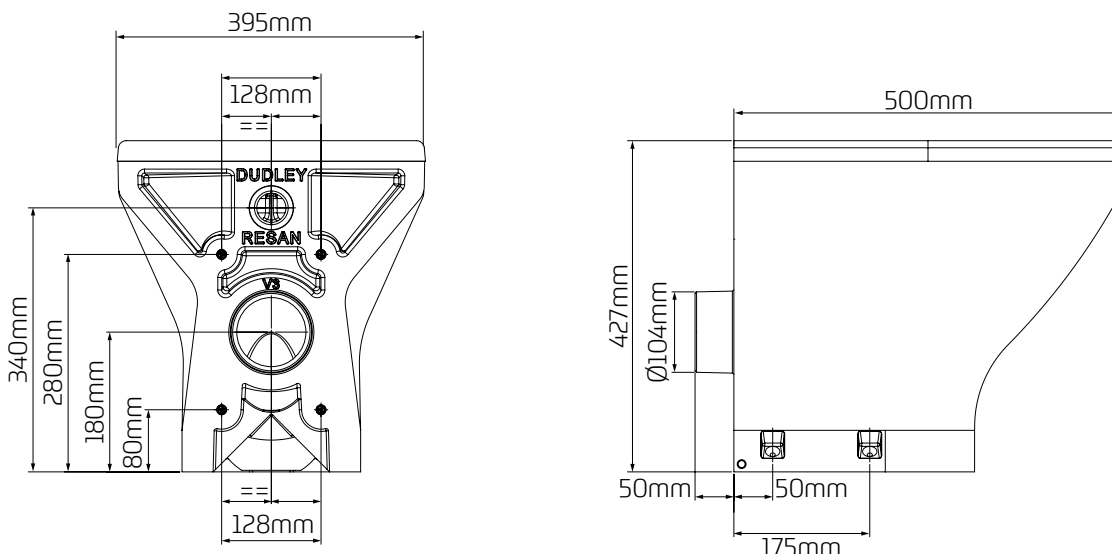
Suitable for installation within custodial, healthcare and commercial environments.

### Features

- ~ Anti-Ligature
- ~ Damage resistant
- ~ Blue integral moulded seat aids the visually impaired and provides a normalised environment in mental healthcare applications
- ~ The waste spigot height is 180mm (BS EN 33)
- ~ Easily renewable surface - no gel coat
- ~ Supports requirements of WAT 01 BREEAM
- ~ UKCA/CE Marked
- ~ UK Ministry of Justice Safer Cell Approval Pending



### Dimensional Data



### Technical Data

Material	Polymer Resin
Available Finishes	Polished Resin for Gloss Effect
Seat Colour	Blue – RAL 5003
Product Weight	47 kg
Fixing Orientation	Floor Fixed
Fixing Size	M6 CSK Floor fixing points [Fixings not provided]
Standard Conformity	BS 476 Pt.6 Fire propagation & surface spread flame. ISO EN 19712-3-2007 Rated 5 for durability, stain resistance, cigarette burns etc. BS EN 33 Performance tested to BS997
Product Code	334085



Damage resistant anti-ligature WC pan with grey seat

### Applications

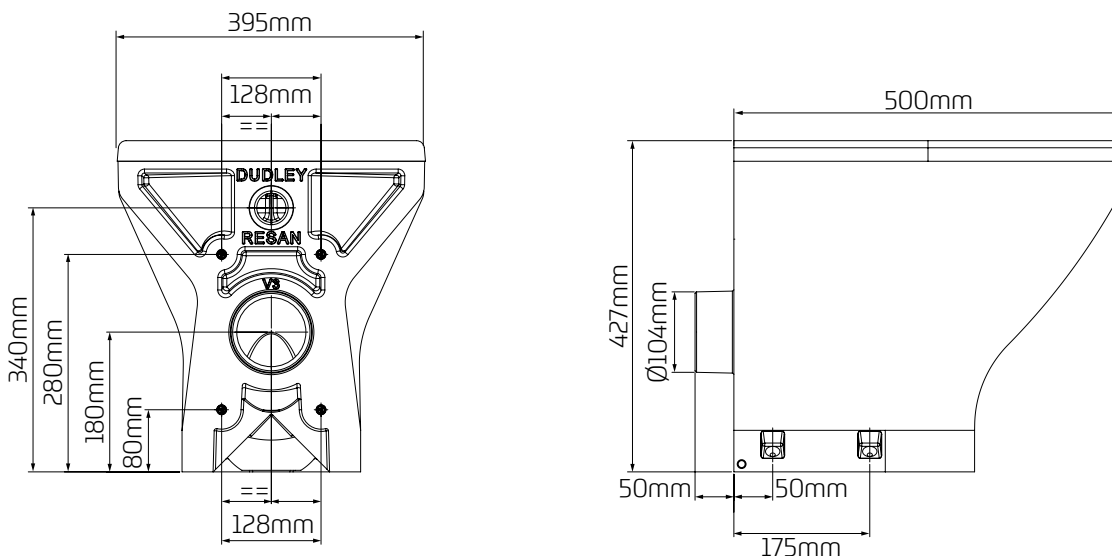
Suitable for installation within custodial, healthcare and commercial environments.

### Features

- ~ Anti-Ligature
- ~ Damage resistant
- ~ Grey integral moulded seat aids the visually impaired and provides a normalised environment in mental healthcare applications
- ~ The waste spigot height is 180mm (BS EN 33)
- ~ Easily renewable surface - no gel coat
- ~ Supports requirements of WAT 01 BREEAM
- ~ UKCA/CE Marked
- ~ UK Ministry of Justice Safer Cell Approval Pending



### Dimensional Data



### Technical Data

Material	Polymer Resin
Available Finishes	Polished Resin for Gloss Effect
Seat Colour	Grey – RAL 7022
Product Weight	47 kg
Fixing Orientation	Floor Fixed [Fixings not provided]
Fixing Size	M6 CSK Floor fixing points
Standard Conformity	BS 476 Pt.6 Fire propagation & surface spread flame. ISO EN 19712-3-2007 Rated 5 for durability, stain resistance, cigarette burns etc. BS EN 33 Performance tested to BS997
Product Code	375048