

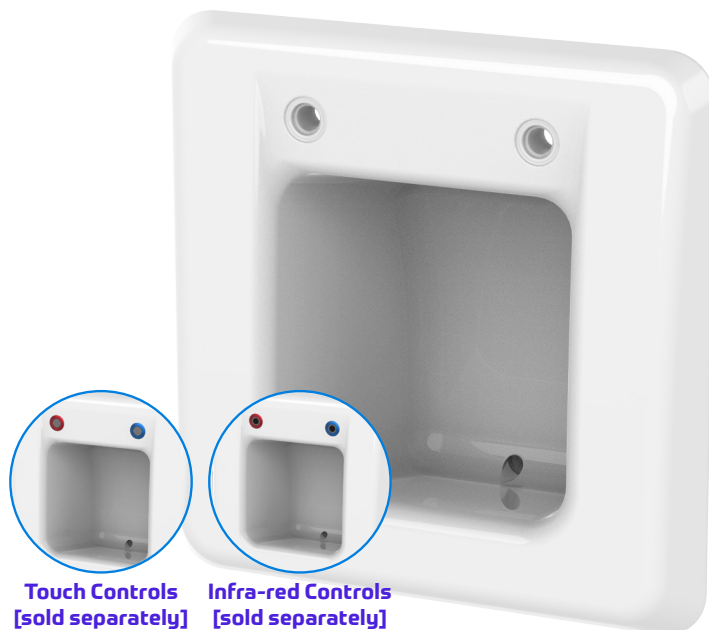


Applications

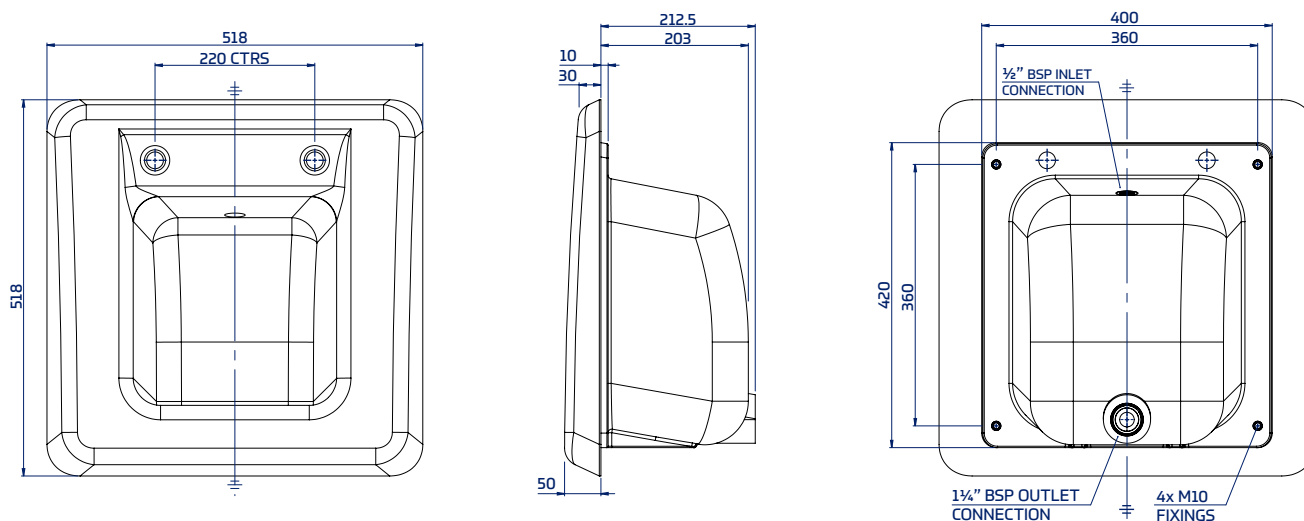
A highly robust inset basin for use in the most demanding anti-ligature applications.

Features

- ~ Anti-ligature
- ~ Damage resistant basins, ideal for use in all applications where there may be the potential for vandalism, heavy treatment or misuse
- ~ Fits where space is at a premium and where enhance anti-ligature qualities are required
- ~ Cast in a single piece with no join joints
- ~ Easily renewable surface - no gel coat
- ~ Used in combination with our Washroom Control System [374572] which can manage activation run times, purges and lock out management
- ~ Water flow is controlled by either two infra-red sensors or Piezo touch controls
- ~ Easily renewable layer to maintain appearance
- ~ Optional waste grille available [375052]



Dimensional Data



Technical Data

Material	Polymer Resin
Available Finishes	Polished
Available Controls	Infra-red sensor or Piezo Touch Controls
Weight	24Kg
Fixing	M10 x 300mm Threaded Bar
Standard Conformity	BS 476 Pt.6 Fire propagation & surface spread of flame. ISO EN 19712-3-2007 Rated 5 for durability, stain resistance, Cigarette burns etc. Compliant with MoJ Estates Directorate Specifications for use in safer cells.
Product Code	374585