



Applications

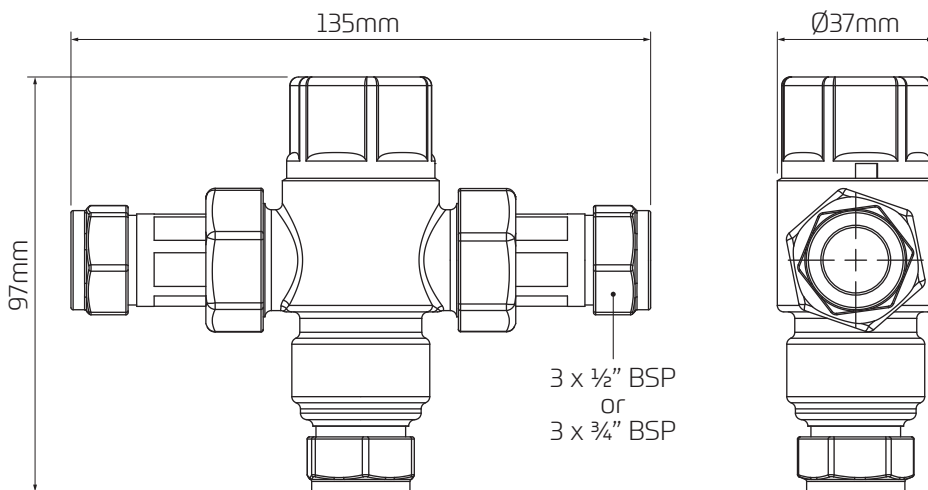
For use with Electroflo® taps and other pre-mixed taps.

Features

- ~ TMV2 & TMV3 certified
- ~ Integral check valve
- ~ Integral filter
- ~ WRAS approved
- ~ Buildcert approved.



Dimensional Data



Technical Data

Water Temp. Range	30°C - 50°C
Operating Pressure	0.2-10 Bar
Connection	½" BSP or ¾" BSP
Conformity	BS 7942 Thermostatic mixing valves for use in care establishments. HTM 04-01 Supplement: D 08 Thermostatic mixing valves (healthcare premises).