

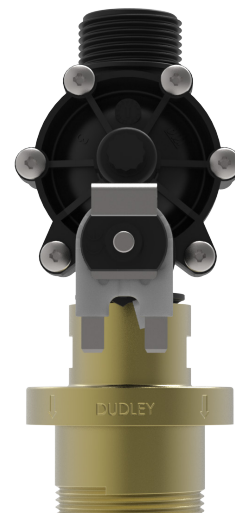


### Applications

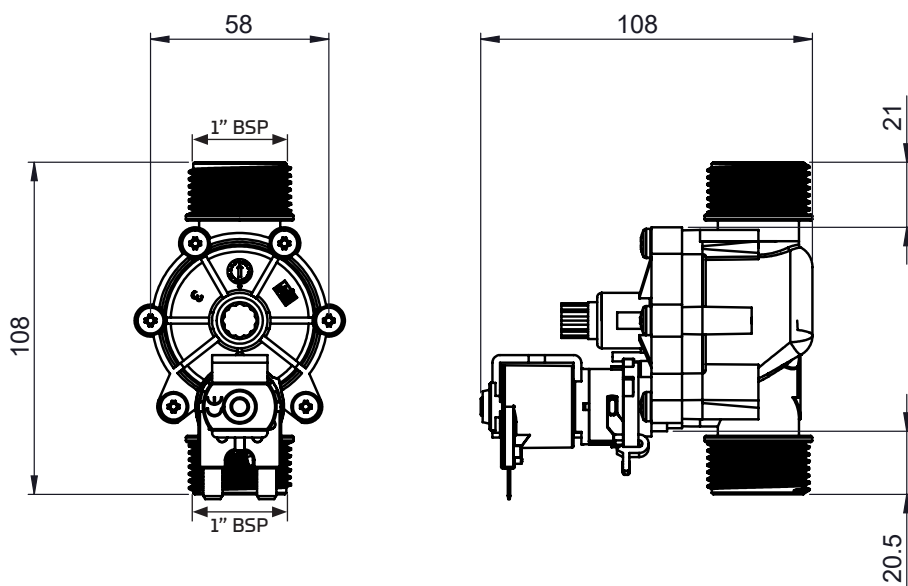
Used in combination with our Washroom Control System [374572] to provide complete control over the flush operation without the need for a concealed cistern

### Features

- ~ Activation via Piezo touch button or infrared sensor
- ~ Certified product to NSF REG4 1+
- ~ Dual flush or single flush programmable
- ~ Supplied with pipe interruptor for compliance to Water Regulations and all fittings accessories including 4m Output Cable
- ~ Fasten Electrical Terminal connections for ease of installation
- ~ No polarity on Electrical Terminal connections
- ~ Recommended minimum required flow rate is 100LPM (Litres Per Minute) and a flow regulator is pre fitted to govern flow rates exceeding this



### Dimensional Data



### Technical Data

Operation	Non-Latching
Operating Pressure	0.5 - 10 Bar
Operating Temperature	Max 60°C
Operating Voltage	12VDC
Connection Size	1" BSP
Product Code	374577