



### Applications

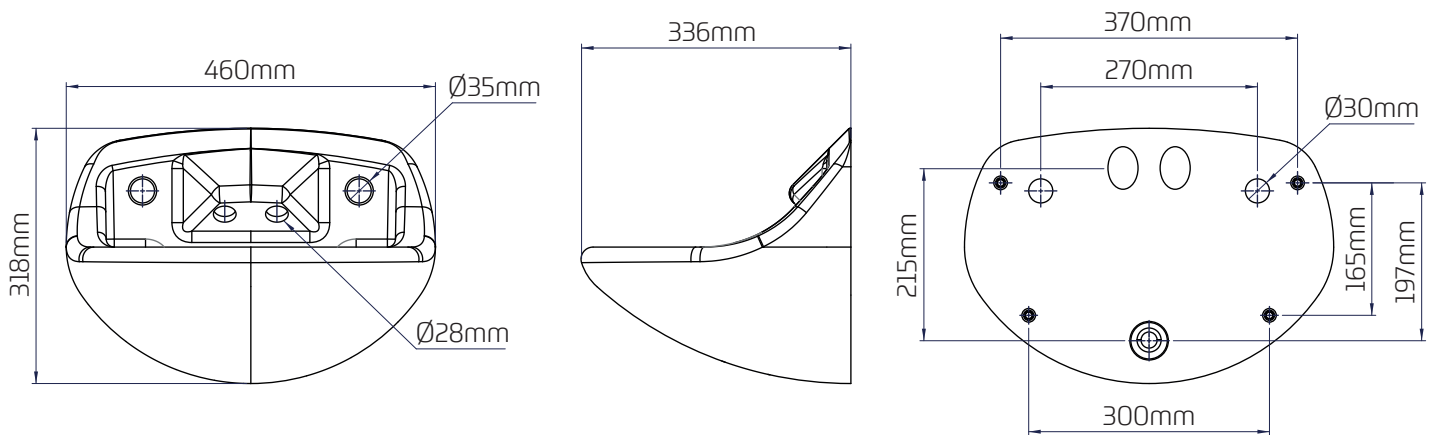
Suitable for installation within custodial, healthcare and commercial environments.

### Features

- ~ Dual sensor apertures
- ~ Dual tap outlets
- ~ Damage resistant
- ~ Anti-ligature
- ~ Range of activation and control options available.



### Dimensional Data



### Technical Data

Material	Polymer Resin
Available Finishes	Matt, Gloss
Product Weight	19.5kg
Fixing Orientation	Wall Fixed
Standard Conformity	BS 476 Pt.6 Fire propagation & surface spread of flame. ISO EN 19712-3-2007 Rated 5 for durability, stain resistance, Cigarette burns etc.